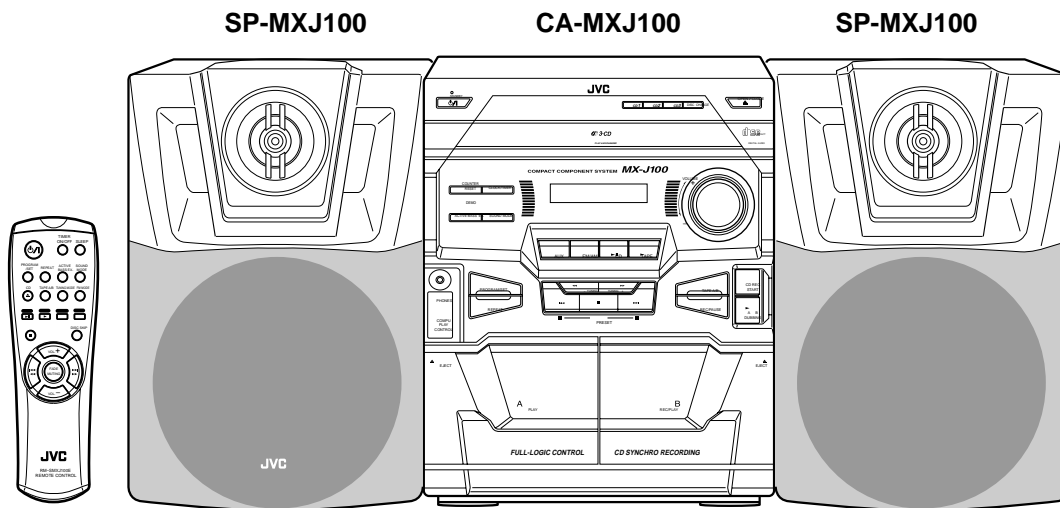


JVC

SERVICE MANUAL

COMPACT COMPONENT SYSTEM

MX-J100



COMPACT
disc
DIGITAL AUDIO

Area Suffix

B U.K.
E Continental Europe
EN Northern Europe
EE Russia
EV Eastern Europe

Contents

Safety precautions	1-2	Flow of functional operation	
Important for laser products	1-3	until TOC read	1-23
Preventing static electricity	1-4	Maintenance of laser pickup	1-24
Disassembly method	1-5	Replacement of laser pickup	1-24
Adjustment method	1-19	Description of major ICs	1-25

Safety Precautions

1. This design of this product contains special hardware and many circuits and components specially for safety purposes. For continued protection, no changes should be made to the original design unless authorized in writing by the manufacturer. Replacement parts must be identical to those used in the original circuits. Services should be performed by qualified personnel only.
2. Alterations of the design or circuitry of the product should not be made. Any design alterations of the product should not be made. Any design alterations or additions will void the manufacturer's warranty and will further relieve the manufacture of responsibility for personal injury or property damage resulting therefrom.
3. Many electrical and mechanical parts in the products have special safety-related characteristics. These characteristics are often not evident from visual inspection nor can the protection afforded by them necessarily be obtained by using replacement components rated for higher voltage, wattage, etc. Replacement parts which have these special safety characteristics are identified in the Parts List of Service Manual. Electrical components having such features are identified by shading on the schematics and by (\triangle) on the Parts List in the Service Manual. The use of a substitute replacement which does not have the same safety characteristics as the recommended replacement parts shown in the Parts List of Service Manual may create shock, fire, or other hazards.
4. The leads in the products are routed and dressed with ties, clamps, tubings, barriers and the like to be separated from live parts, high temperature parts, moving parts and/or sharp edges for the prevention of electric shock and fire hazard. When service is required, the original lead routing and dress should be observed, and it should be confirmed that they have been returned to normal, after re-assembling.

5. Leakage current check (Electrical shock hazard testing)

After re-assembling the product, always perform an isolation check on the exposed metal parts of the product (antenna terminals, knobs, metal cabinet, screw heads, headphone jack, control shafts, etc.) to be sure the product is safe to operate without danger of electrical shock.

Do not use a line isolation transformer during this check.

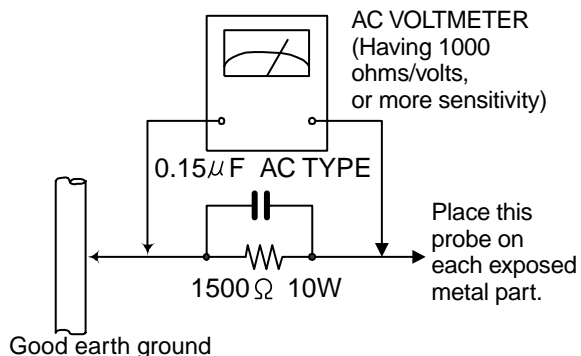
- Plug the AC line cord directly into the AC outlet. Using a "Leakage Current Tester", measure the leakage current from each exposed metal parts of the cabinet, particularly any exposed metal part having a return path to the chassis, to a known good earth ground. Any leakage current must not exceed 0.5mA AC (r.m.s.)

- Alternate check method

Plug the AC line cord directly into the AC outlet. Use an AC voltmeter having 1,000 ohms per volt or more sensitivity in the following manner. Connect a 1,500 Ω 10W resistor paralleled by a 0.15 μ F AC-type capacitor between an exposed metal part and a known good earth ground.

Measure the AC voltage across the resistor with the AC voltmeter.

Move the resistor connection to each exposed metal part, particularly any exposed metal part having a return path to the chassis, and measure the AC voltage across the resistor. Now, reverse the plug in the AC outlet and repeat each measurement. Voltage measured any must not exceed 0.75 V AC (r.m.s.). This corresponds to 0.5 mA AC (r.m.s.).



Warning

1. This equipment has been designed and manufactured to meet international safety standards.
2. It is the legal responsibility of the repairer to ensure that these safety standards are maintained.
3. Repairs must be made in accordance with the relevant safety standards.
4. It is essential that safety critical components are replaced by approved parts.
5. If mains voltage selector is provided, check setting for local voltage.

⚠ CAUTION Burrs formed during molding may be left over on some parts of the chassis. Therefore, pay attention to such burrs in the case of preforming repair of this system.

Important for laser products

1.CLASS 1 LASER PRODUCT

2.DANGER : Invisible laser radiation when open and interlock failed or defeated. Avoid direct exposure to beam.

3.CAUTION : There are no serviceable parts inside the Laser Unit. Do not disassemble the Laser Unit. Replace the complete Laser Unit if it malfunctions.

4.CAUTION : The compact disc player uses invisible laserradiation and is equipped with safety switches which prevent emission of radiation when the drawer is open and the safety interlocks have failed or are defeated. It is dangerous to defeat the safety switches.

5.CAUTION : If safety switches malfunction, the laser is able to function.

6.CAUTION : Use of controls, adjustments or performance of procedures other than those specified herein may result in hazardous radiation exposure.

⚠ CAUTION Please use enough caution not to see the beam directly or touch it in case of an adjustment or operation check.

WARNING : Osynlig laserstrålning är denna del är öppnad och spårren är urkopplad. Betrakta ej strålen.

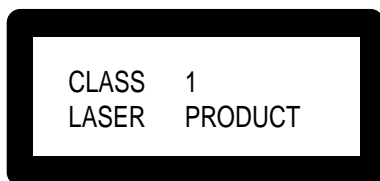
VARO : Avattaessa ja suojalukitus ohitettaessa olet alltiina näkymättömälle lasersäteilylle. Älä katso säteeseen.

ADVARSEL : Usynlig laserstrålning ved åbning , når sikkerhedsafbrydere er ude af funktion. Undgå udsættelse for stråling.

ADVARSEL : Usynlig laserstrålning ved åbning, når sikkerhedsbryteren er avslott. unngå utsettelse for stråling.

REPRODUCTION OF LABELS

CLASSIFICATION LABEL, PLACED ON REAR ENCLOSURE



WARNING LABEL, PLACED INSIDE THE UNIT

DANGER: Invisible laser radiation when open and interlock failed or defeated. AVOID DIRECT EXPOSURE TO BEAM. (e)

WARNING: Osynlig laserstrålning när denna del är öppnad och spårren är urkopplad. Betrakta ej strålen. (s)

ADVARSEL: Usynlig laserstrålning ved åbning, når sikkerhedsafbrydere er ude af funktion. Undgå udsættelse for stråling (d)

VARO: Avattaessa ja suojalukitus ohitettaessa olet alltiina näkymättömälle lasersäteilylle. Älä katso säteeseen. (f)

Preventing static electricity

1. Grounding to prevent damage by static electricity

Electrostatic discharge (ESD), which occurs when static electricity stored in the body, fabric, etc. is discharged, can destroy the laser diode in the traverse unit (optical pickup). Take care to prevent this when performing repairs.

2. About the earth processing for the destruction prevention by static electricity

In the equipment which uses optical pick-up (laser diode), optical pick-up is destroyed by the static electricity of the work environment.

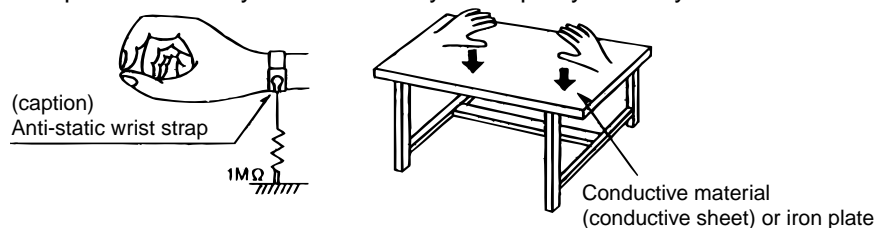
Be careful to use proper grounding in the area where repairs are being performed.

2-1 Ground the workbench

Ground the workbench by laying conductive material (such as a conductive sheet) or an iron plate over it before placing the traverse unit (optical pickup) on it.

2-2 Ground yourself

Use an anti-static wrist strap to release any static electricity built up in your body.



3. Handling the optical pickup

1. In order to maintain quality during transport and before installation, both sides of the laser diode on the replacement optical pickup are shorted. After replacement, return the shorted parts to their original condition. (Refer to the text.)

2. Do not use a tester to check the condition of the laser diode in the optical pickup. The tester's internal power source can easily destroy the laser diode.

4. Handling the traverse unit (optical pickup)

1. Do not subject the traverse unit (optical pickup) to strong shocks, as it is a sensitive, complex unit.

2. Cut off the shorted part of the flexible cable using nippers, etc. after replacing the optical pickup. For specific details, refer to the replacement procedure in the text. Remove the anti-static pin when replacing the traverse unit. Be careful not to take too long a time when attaching it to the connector.

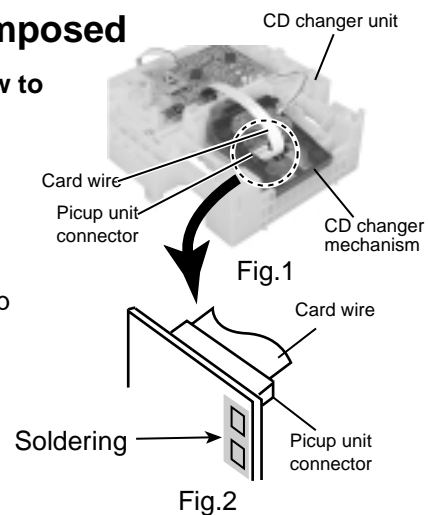
3. Handle the flexible cable carefully as it may break when subjected to strong force.

4. It is not possible to adjust the semi-fixed resistor that adjusts the laser power. Do not turn it

Attention when CD mechanism assembly is decomposed

***Please refer to "Disassembly method" in the text for pick-up and how to detach the CD mechanism assembly.**

1. Remove the CD changer unit.
2. Remove the CD changer mechanism.
3. Solder is put up before the card wire is removed from the pickup unit connector on the CD mechanism assembly. (When the card wire is removed without putting up solder, the CD pick-up assembly might destroy.)
4. Please remove solder after connecting the card wire with the pickup unit connector when you install picking up in the substrate.



Disassembly method

<Main body>

■ Removing the top cover and the side covers (See Fig.1 to 3)

1. Remove the three screws **A** on the back of the body and the two screws **B** on both sides of the body.
2. Remove the top cover upward from behind.
3. Remove the two screws **C** attaching the side covers on the back of the body and the six screws **D** on both sides.
4. Slide the right and left covers backward and unhook the two hooks **a** in the lower part of the side covers as shown in Fig.2-2.

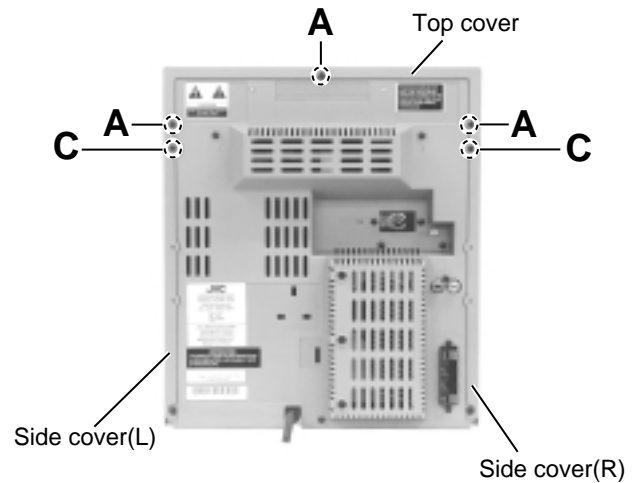


Fig.1

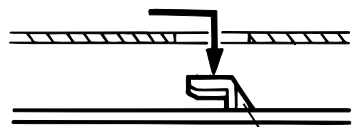
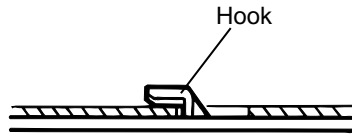


Fig.2-2

Hook

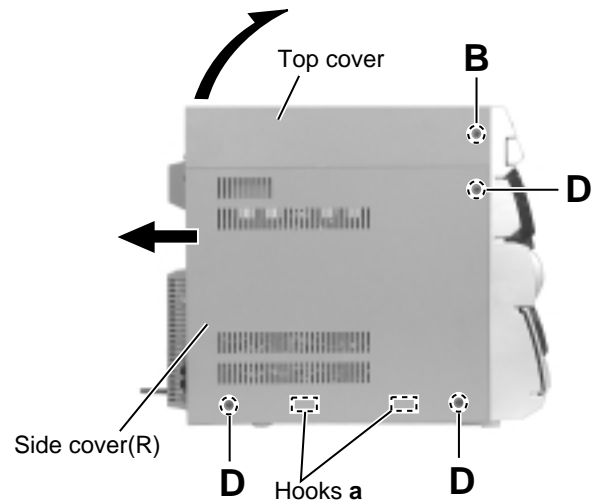


Fig.2

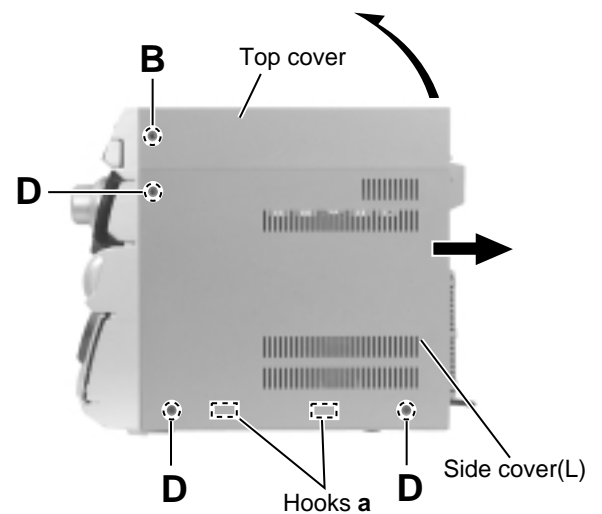


Fig.3

Removing the CD Tray fitting
(See Fig. 4 to 6)

- Prior to performing the following procedure, remove the top cover and the side covers.

ATTENTION: Be sure to remove the CD tray fitting before removing the CD changer unit.

1. Press the POWER button. Press the OPEN/CLOSE button to eject the CD tray.
2. Move the CD tray fitting upward and release the joint **b**.
3. Press the OPEN/CLOSE button to insert the tray.

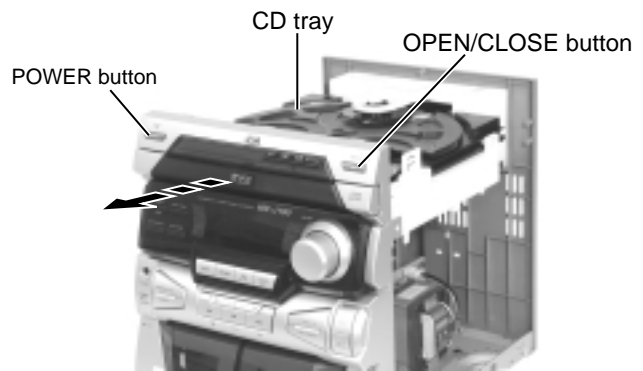


Fig.4

Removing the CD Tray fitting
(See Fig. 5 to 7)

- How to eject the CD tray without turning on power -

1. Turn the black loading pulley gear marked **c** from the back of the CD changer unit as shown in Fig.7 and draw the CD tray toward the front.
2. Move the CD tray fitting upward and release the joint **b**.
3. Push and insert the CD tray manually.

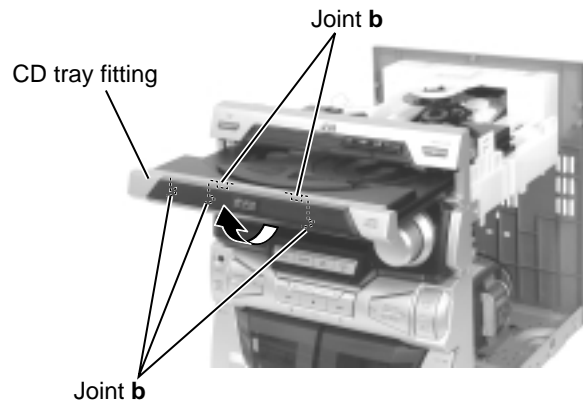


Fig.5

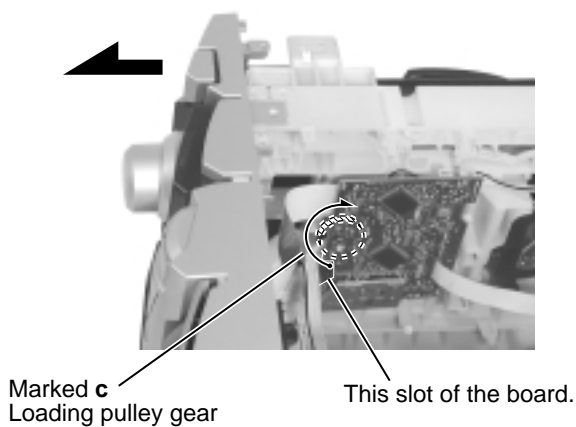


Fig.7

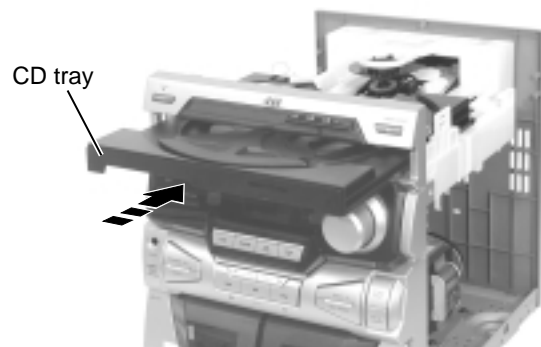


Fig.6

■ Removing the CD changer unit (See Fig.8 to 10)

- Prior to performing the following procedure, remove the top cover, the side covers and the CD Tray fitting.
1. Disconnect the card wire from connector SCW1 of the CD servo board on the back of the CD changer unit.
 2. Disconnect the harness from connector FW2 on the inner side of the mother(main) board in the body.
 3. Remove the two screws **E** attaching the CD changer unit on the back of the body.
 4. Draw the CD changer unit upward from behind while pulling the rear panel outward.

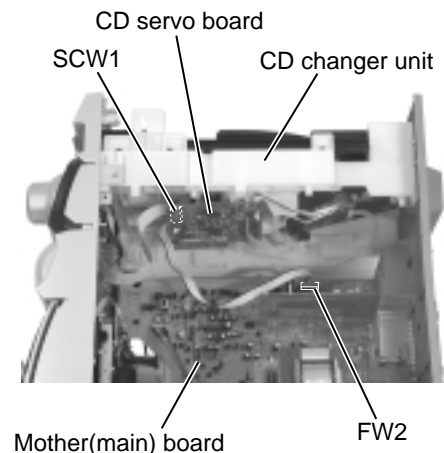


Fig.8

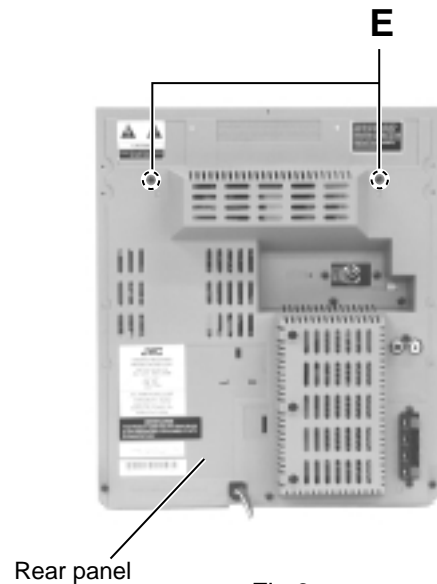


Fig.9

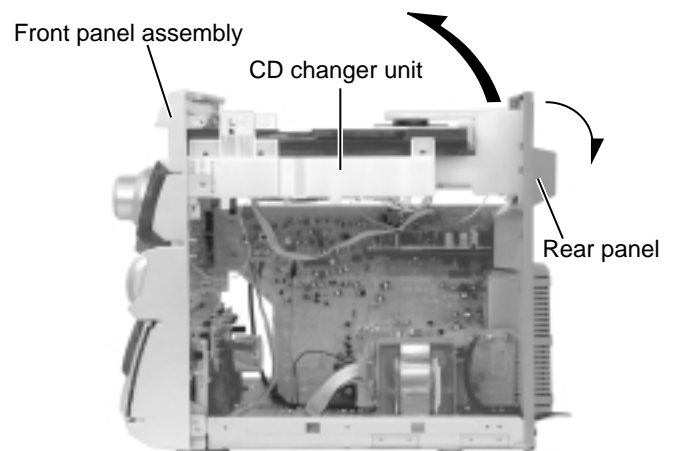


Fig.10

■Removing the front panel assembly
(See Fig.11 to 13)

• Prior to performing the following procedure, remove the top cover, the side covers, the CD Tray fitting and the CD changer unit.

• There is no need to remove the rear panel.

1. Disconnect the harness from head wire connector DW1 and DW2 on the inner side of the mother (main) board in the body.

2. Disconnect the harness from connector HCW1 of the headphone board on the right side of the body.

3. Remove the three screws **F** attaching the front panel assembly on both sides of the body. Remove the screw **V** attaching the earth terminal extending from the front compartment.

4. Remove the screw **G** attaching the front panel assembly on the bottom of the body.

5. Release the two joints **d** on both sides and two joints **e** on the bottom of the body using a screwdriver. At the same time, disconnect the front compartment from connector CCW1 and CCW2 of the mother(main) board.

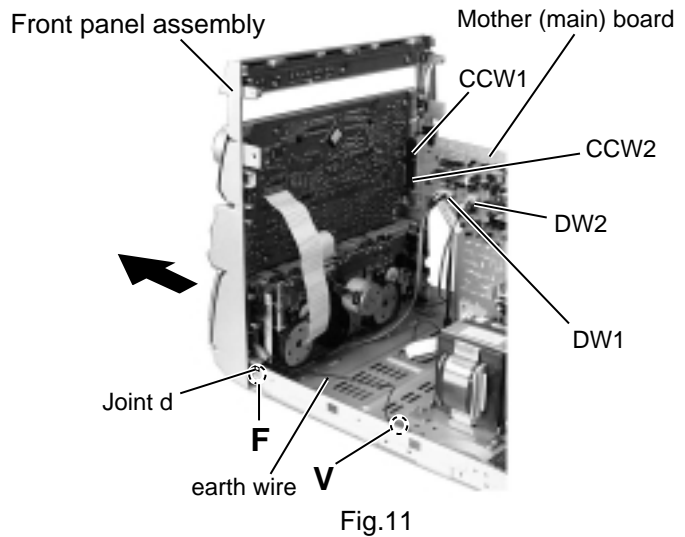


Fig.11

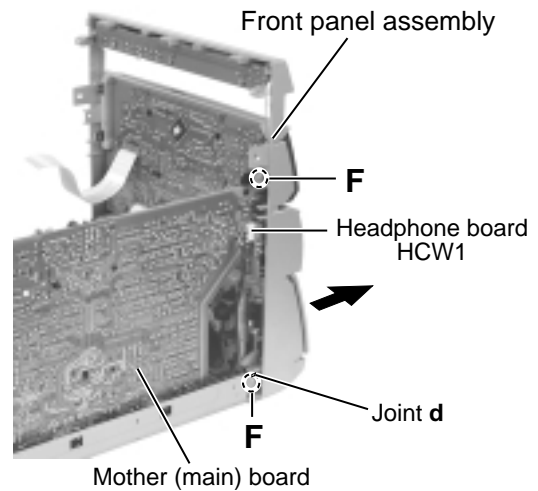


Fig.12

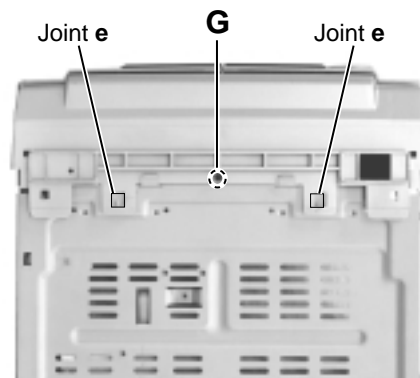


Fig.13

■Removing the rear panel (See Fig.14)

- Prior to performing the following procedure, remove the top cover, the side covers, the CD Tray fitting and the CD changer unit.
 - There is no need to remove the front panel assembly.
1. Remove the seven screws **H** attaching the mother(main) board and the tuner board to the rear panel on the back of the body.
 2. Remove the three screws **I** attaching the heat sink to the rear panel on the back of the body.
 3. Remove the three screws **J** attaching the rear panel on the back of the body.

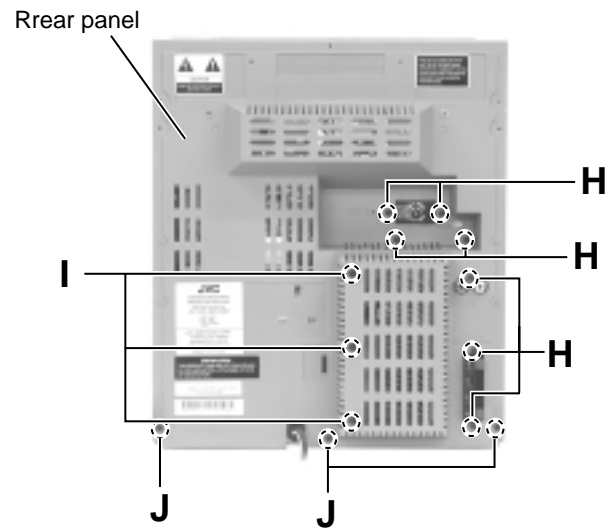


Fig.14

■Removing the mother(main) board (See Fig.15 and 16)

- Prior to performing the following procedure, remove the rear panel.
1. Disconnect the harness from connector HCW1 of the mother(main) board on the right side of the body. Release the harness from the clamp in the body.
 2. Disconnect the harness from head wire connector DW1 and DW2 extending to the mother(main) board in the body.
 3. Disconnect the harness from connector RCW1 of the power transformer.
 4. Remove the screw **K** attaching the earth terminal to the base chassis.
 5. Disconnect connector CCW1 and CCW2 connected to the mother(main) board from the front compartment (The mother(main) board will be detached with the tuner board and the assembly).

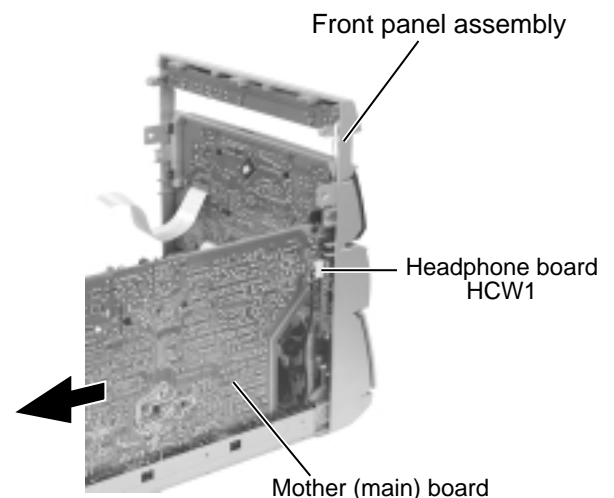


Fig.15

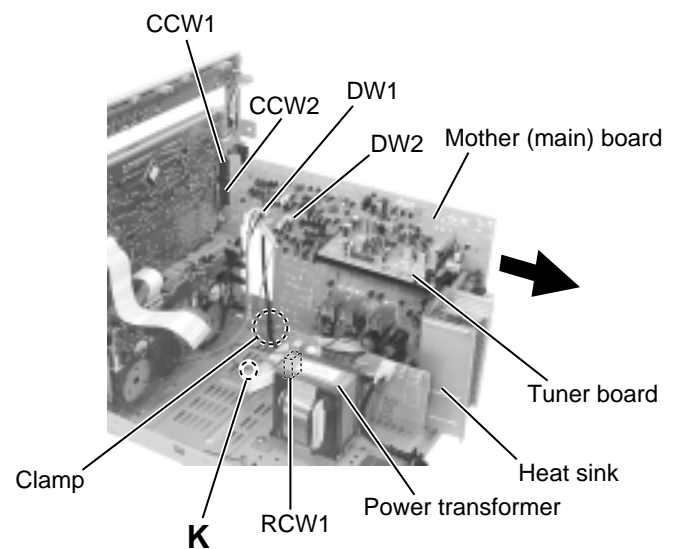


Fig.16

■ Removing the heat sink

(See Fig.17 and 18)

• Prior to performing the following procedure, remove the mother(main) board.

1. Remove the three screws **L** attaching the heat sink cover plate.
2. Remove the two screws **M** attaching the power IC to the heat sink and the three screws **N** attaching the heat sink to the mother (main) board.

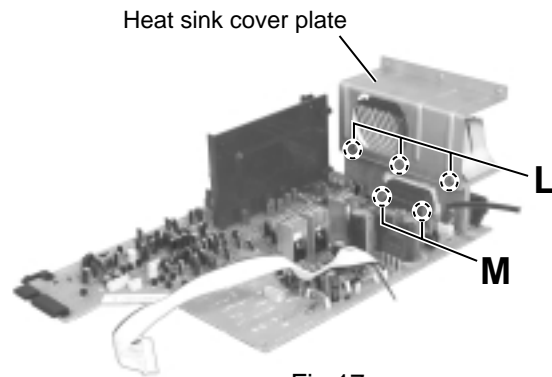


Fig.17

■ Removing the tuner Board

(See Fig. 18 to 20)

• The tuner board can be removed even if the mother(main) board is attached.

1. Release the joint tab **f** of the tuner board holder and the mother(main) board, and disconnect connector **FW1** connected to the mother(main) board. Remove the tuner board assembly (Refer to Fig.18).
2. Remove the screw **O** attaching the tuner board holder. Release the two tabs **g** outward and remove the tuner board from the holder.

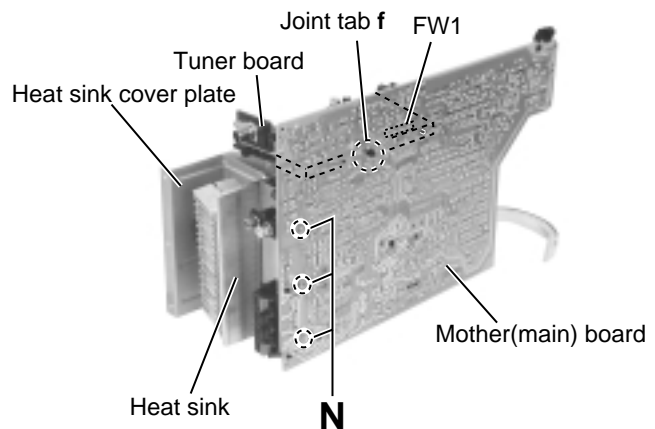


Fig.18

■ Removing the power transformer

(See Fig .21)

• Prior to performing the following procedure, remove the top cover and the side covers.

1. Disconnect the power cord from connector **RCW2** of the power transformer.
2. Disconnect the harness from connector **RCW1** of the power transformer.
3. Remove the four screws **P** attaching the power transformer and the screw **Q** attaching the earth terminal.

ATTENTION: Prior to disconnecting the power cord from the body, remove the rear panel.

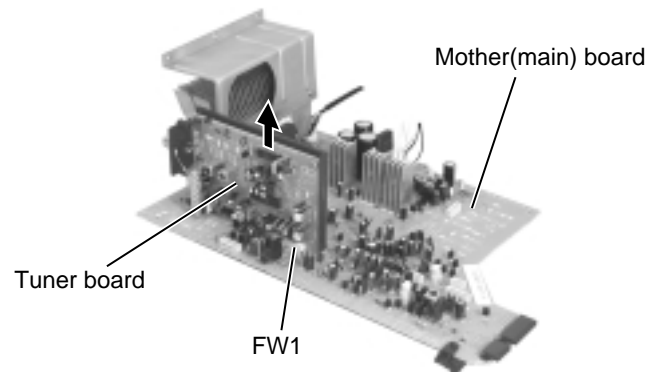


Fig.19

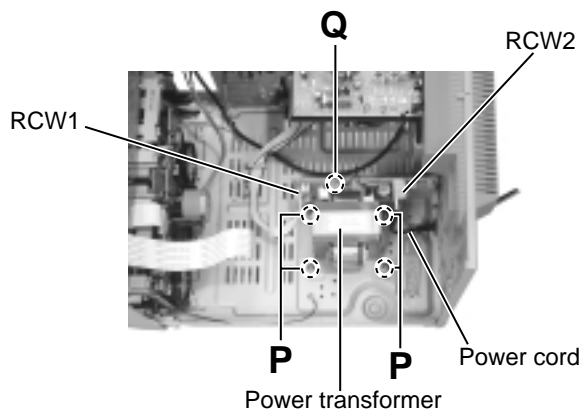


Fig.21

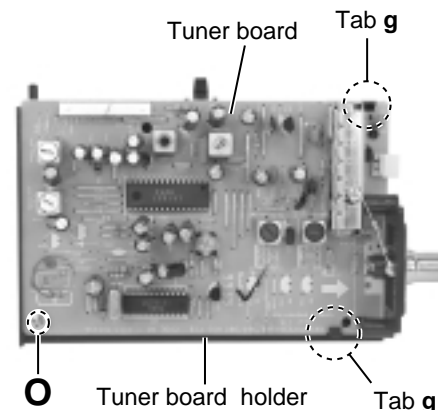


Fig.20

<Front panel assembly>

- Prior to performing the following procedure, remove the top cover, the side covers, the CD tray fitting and the front panel assembly.

■ Removing the power / CD switch board (See Fig.22)

1. Remove the three screws **R** attaching the power / CD switch board and release the three tabs **h** outward.
2. Disconnect the harness from connector UCW2 of the power / CD switch board.

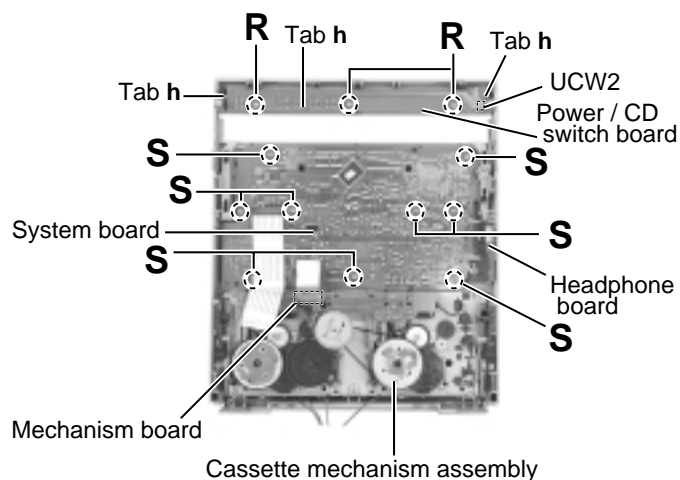


Fig.22

■ Removing the system board (See Fig.22 and 23)

- Prior to performing the following procedure, remove the power / CD switch board.

1. Pull out the volume knob toward the front.
2. Disconnect the card wire from the mechanism board of the cassette mechanism assembly.
3. Remove the nine screws **S** attaching the system board.

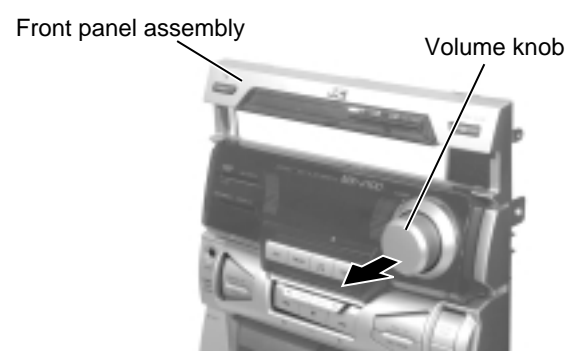


Fig.23

■ Removing the headphone board (See Fig.24)

1. Remove the system board temporarily and remove the screw **T** attaching the headphone board. Pull out the headphone board.

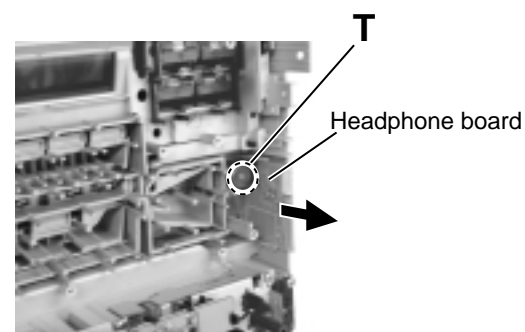


Fig.24

■ Removing the cassette mechanism assembly (See Fig.25)

1. Disconnect the card wire from the mechanism board of the cassette mechanism assembly.
2. Remove the seven screws **U** attaching the cassette mechanism assembly.

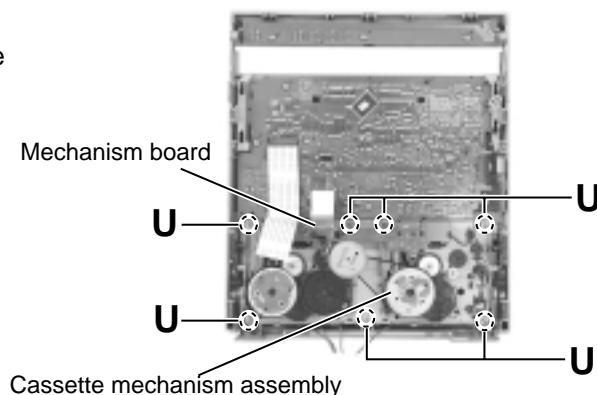


Fig.25

<CD changer unit>

- Prior to performing the following procedure, remove the CD changer unit.

■Removing the CD tray (See Fig.26 to 28)

1. Turn the black loading pulley gear marked **c** on the under side of the CD changer unit in the direction of the arrow and draw the CD tray toward the front until it stops.
2. Disconnect the card wire from connector SCW5 of the CD servo board on the upper side of the CD changer unit.
3. Push down the two tray stoppers marked **i** and pull out the CD tray.

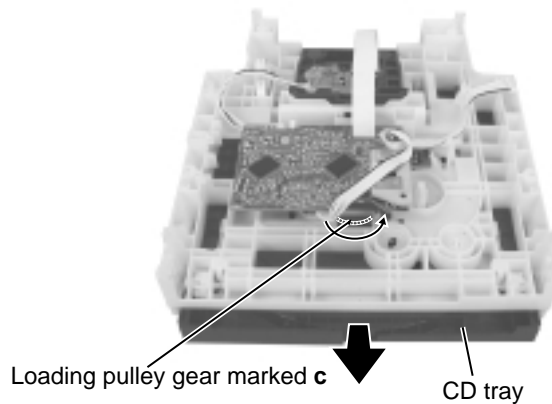


Fig.26

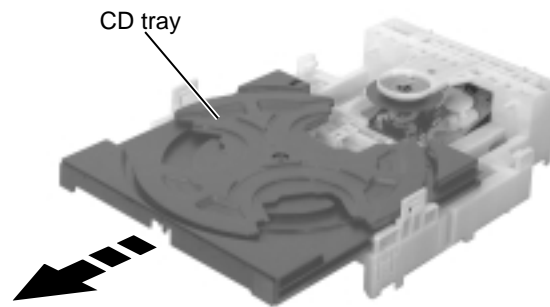


Fig.27

■Reinstall the CD tray (See Fig.29 to 30)

1. Align the gear-cam with the gear-tray as shown fig.29, then mount the CD tray.
2. When assembling the CD tray, take extreme care not engage with gear - synchro.

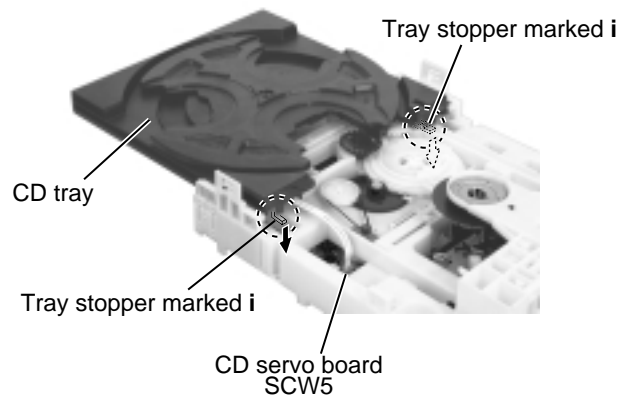


Fig.28

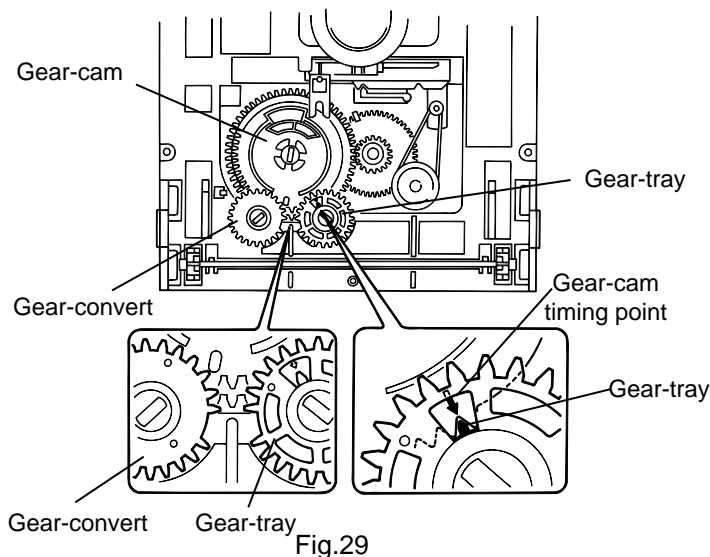


Fig.29

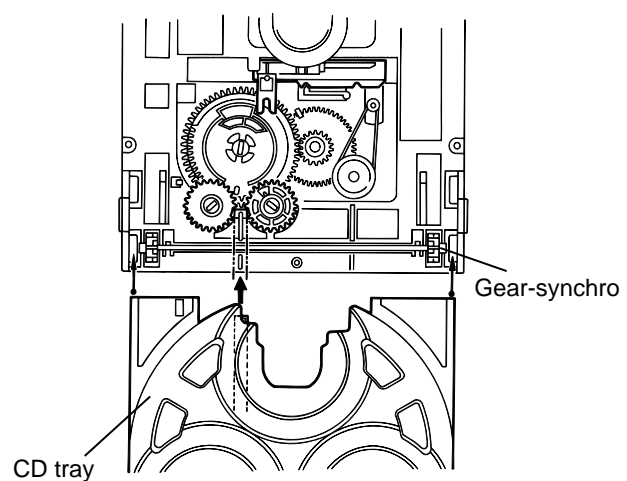


Fig.30

■ Removing the sensor board / the tray motor (See Fig.31 to 33)

- Prior to performing the following procedure, remove the CD tray.
1. Release the two tabs **j** attaching the sensor board on the under side of the CD tray.
 2. Disconnect the harness from connector **CW1** on the sensor board and release the harness from the two hooks **k**. Remove the sensor board.
 3. Remove the screw **W** attaching the tray turn table. Detach the tray turn table from the tray.
 4. Pull outward the tab marked **m** attaching the tray turn table motor assembly on the upper side of the tray and detach the tray turn table motor assembly from the tray.

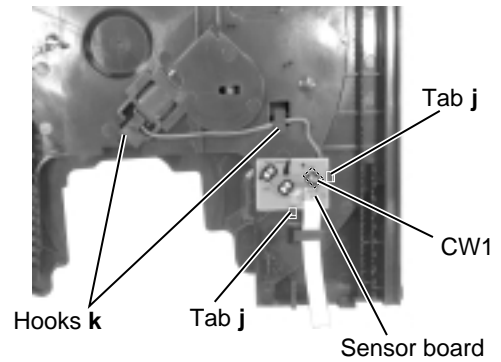


Fig.31

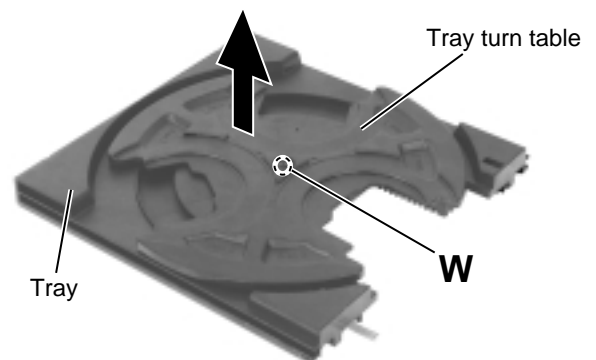


Fig.32

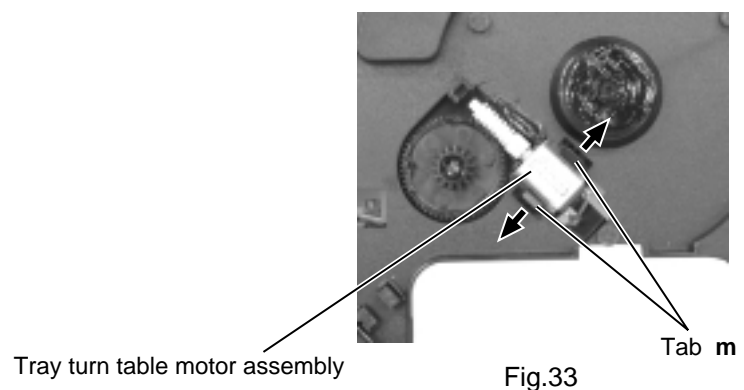


Fig.33

■ Removing the belt, the CD servo board and the switch board (See Fig.34 and 35)

- Prior to performing the following procedure, remove the CD tray.
1. Detach the belt from the pulley on the upper side of the CD changer unit (Do not stain the belt with grease).
 2. Disconnect the card wire from the pickup unit connector on the under side of the CD changer unit.
 3. Disconnect the motor wire harness from connector on the CD mechanism board.
 4. Remove the two screws **X** attaching the CD servo board. First release the **n** side of the two tabs **n** and two tabs **o** attaching the CD servo board motor to raise the CD servo board slightly, then release the **o** side.
- ※ If the tabs **n** and **o** are hard to release, it is recommendable to unsolder the two soldered parts on the motor terminal of the CD servo board. Disconnect the terminal CW3 connected to the switch board and remove the CD servo board.
5. Release the three tabs **p** attaching the switch board outward and detach the switch board.

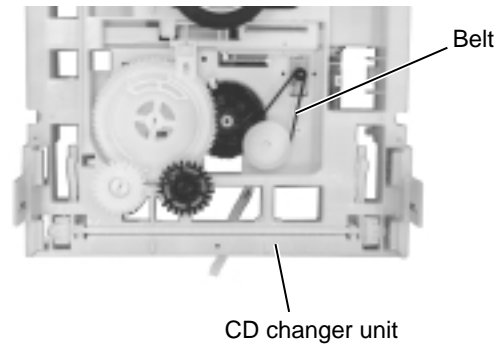


Fig.34

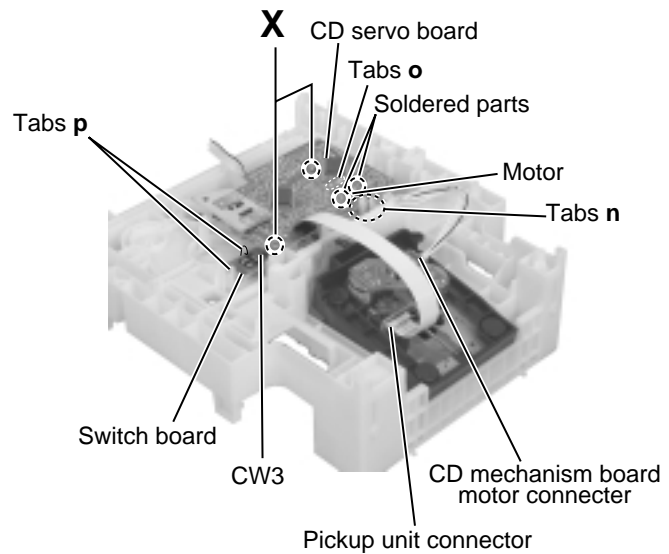


Fig.35

■ Removing the CD mechanism holder assembly (mechanism included)

(See Fig.36 to 39)

1. Disconnect the harness from connector on the CD mechanism board in the CD mechanism assembly on the under side of the CD changer unit. Disconnect the card wire from the pickup unit connector.
2. Remove the screw **Y** attaching the shaft on the right side of the CD mechanism holder assembly. Pull outward the stopper fixing the shaft on the left side and remove the CD mechanism holder assembly from behind in the direction of the arrow.
3. Turn the CD mechanism holder assembly half around the lift up slide shaft **r** of the CD mechanism holder assembly until the turn table is reversed, and pull out the CD mechanism holder assembly.

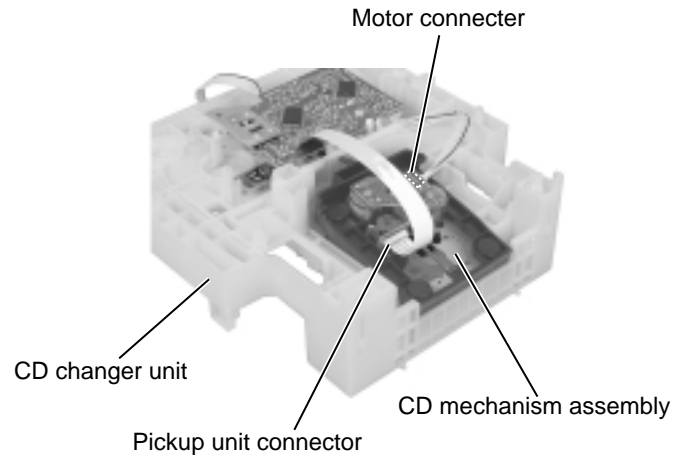


Fig.36

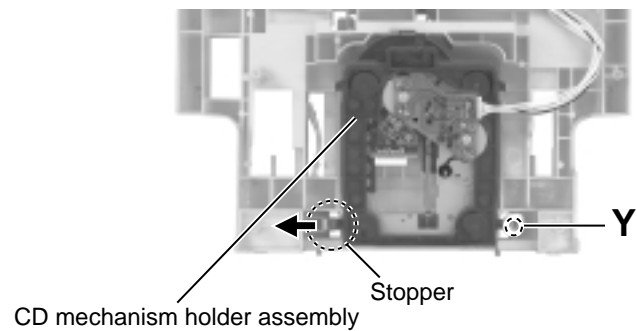


Fig.37

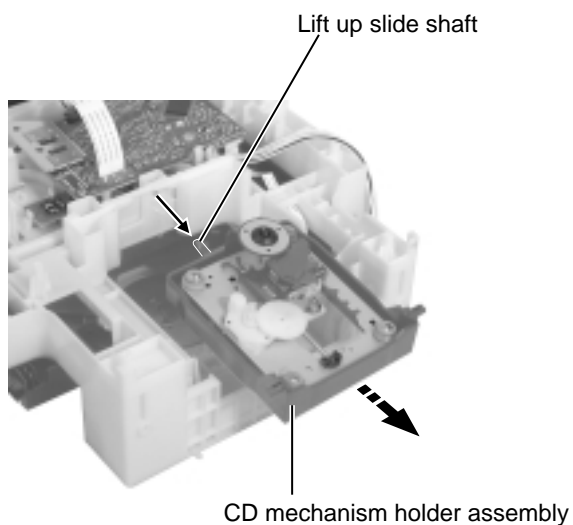


Fig.39

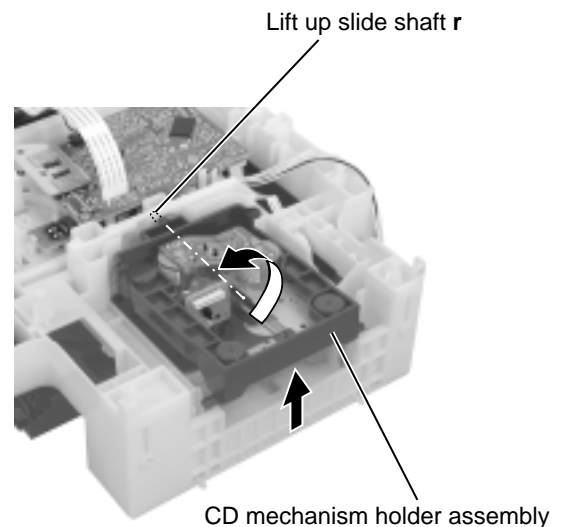


Fig.38

<CD mechanism section>

- Removing the CD mechanism holder from the CD chassis to remove the CD mechanism.
(Refer to "Removing the CD mechanism holder assembly" (Pag.2-11))

■ Removing the pickup unit.

1. Loosen the two screws **A** fixing the chassis.(Fig.1)
2. Removing the feed gear stopper **c** on the bottom of the mechanism and pull out the gear.
(Fig.1, Fig.3, Fig.4)
3. Pull out the shaft by opening the pickup shaft stopper outward to unlock.(Fig.1, Fig.2)
4. Removing the pickup unit.(Fig.1)

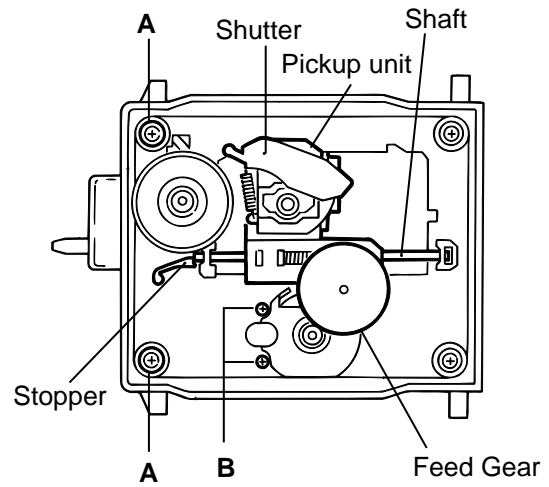


Fig.1

■ Removing the motor board.

1. Unsolder the motor terminal on the motor board.(Fig.3)
2. Remove the motor board.(Fig.3)

■ Removing the feed motor.

Remove the two motor fixing screws at **B** and removing the feed motor.(Fig.1, Fig.3)

■ Removing the spindle motor.

The spindle motor cannot be removed as a single unit. When removing the spindle motor, change the chassis and turntable together as a unit.(Fig.5)

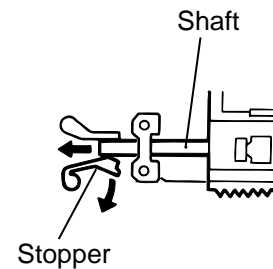


Fig.2

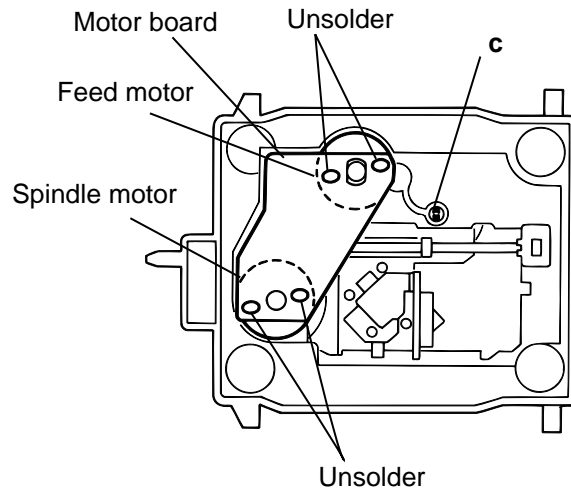


Fig.3

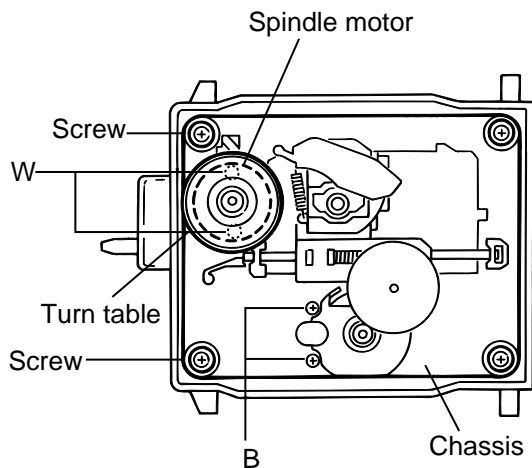


Fig.5

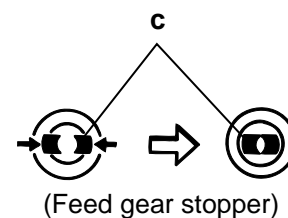


Fig.4

<Cassette mechanism section>

- Removing the record/playback mechanism.

■ Removing the R/P head.

1. Remove the screw **A** on the right side of the R/P head.(Fig.1, Fig.2)
2. Remove the screw **B** on the left side of the R/P head.(Fig.1, Fig.2)

■ Remove the erase head.

Remove the screw **C** fixing the erase head.(Fig.1)

■ Removing the pinch roller.

1. Pull out the pinch roller by opening the pinch roller stopper outward to unlock .(Fig.3)
2. When reassembling the pinch roller, refer to fig. 4 to hook up the spring.

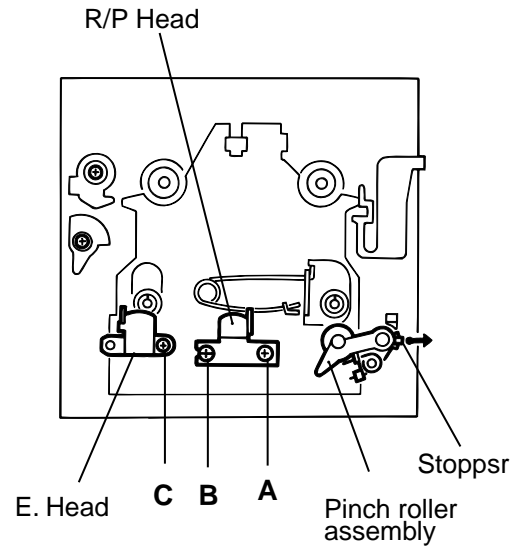


Fig.1

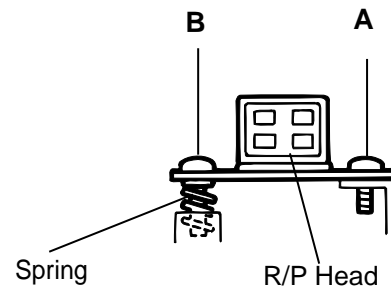


Fig.2

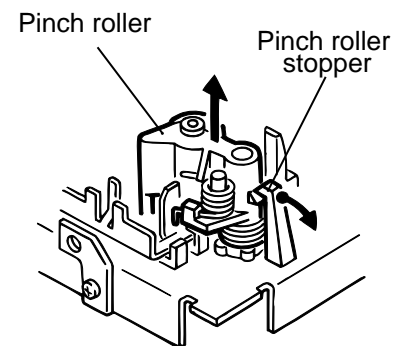


Fig.3

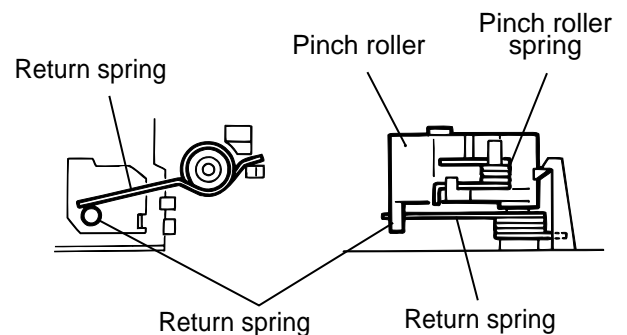


Fig.4

■ **Removing the motor.**

1. Remove the two screws **D** fixing the motor.
Be careful to grease's splash when the drive belt comes off.(Fig.5, Fig.6)
2. Unsolder the motor terminal.(Fig.5)

■ **Removing the mechanism board.**

1. Unsolder the four parts **a** on the solenoid coil terminal.(Fig.5)
2. Remove the two screws **E** fixing the board.(Fig.5)
3. Unhook the three parts **b** from the board.(Fig.5)
4. Remove the mechanism board.(Fig.5)

■ **Removing the flywheel.**

Remove the cut-washers at **c** and **d** from the capstan shaft, then remove the flywheel.
When reassembling the flywheel, be sure to use new washers as they cannot be reused.(Fig.8, Fig.9)

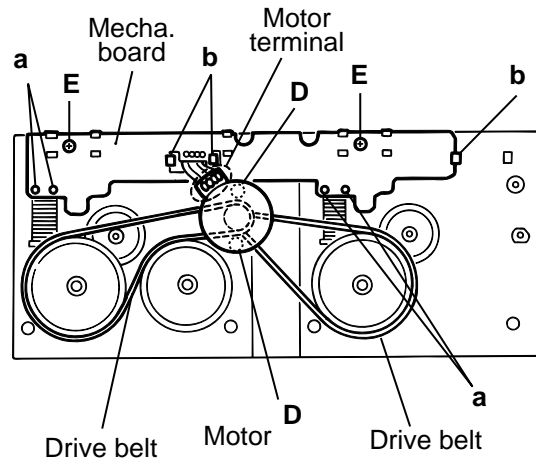


Fig.5

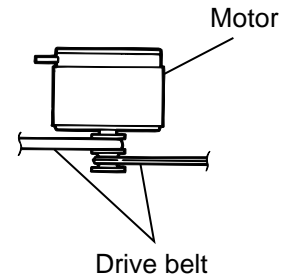


Fig.6

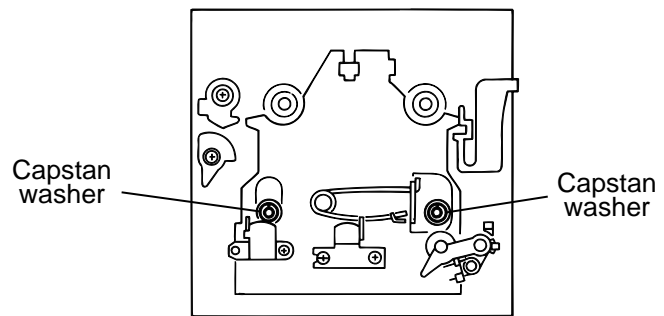


Fig.7

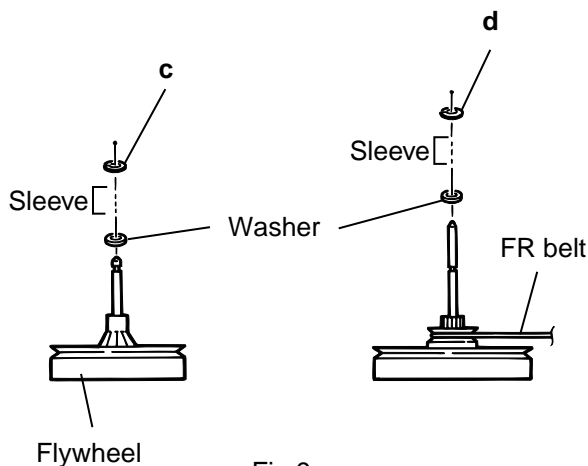


Fig.9

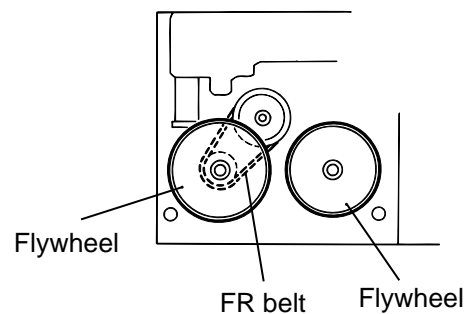
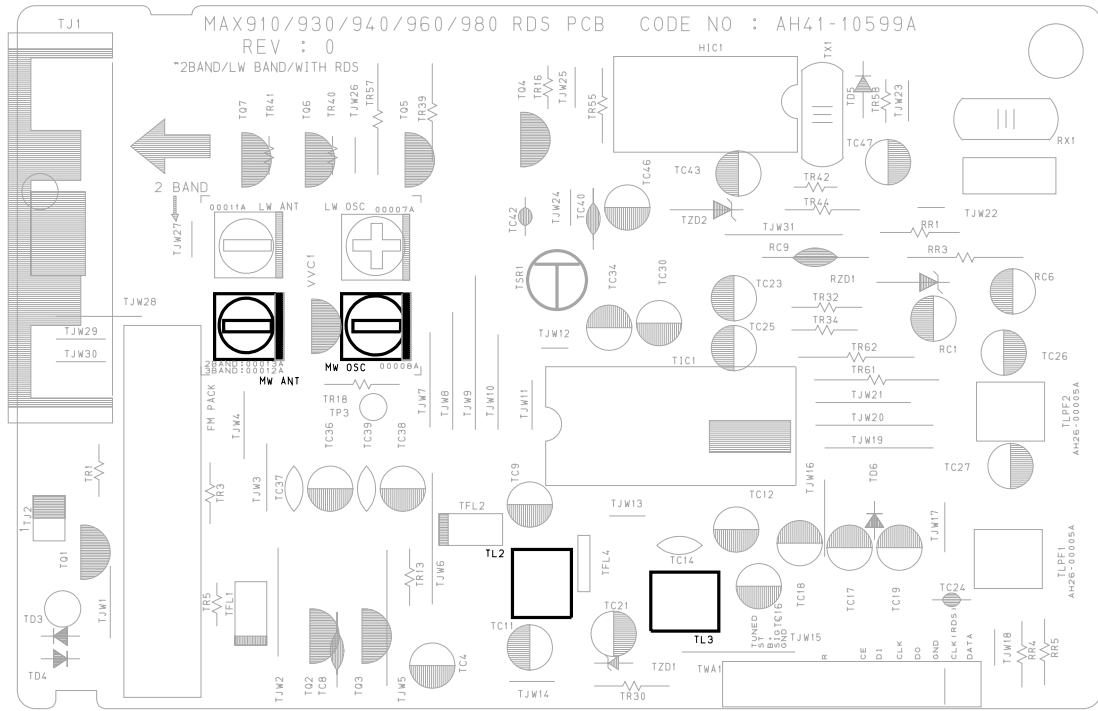


Fig.8

Ajustment method

■ Tuner



• Adjustment Location of Tuner PCB

ITEAM	AM(MW) OSC Adjustment	AM(MW) RF Adjustment
Received FREQ.	520~1720 KHz	590 KHz
Adjustment point	Non- Adjustment	MW -ANT
Output	1~7.0±0.5V	Maximum Output(Fig1-4)

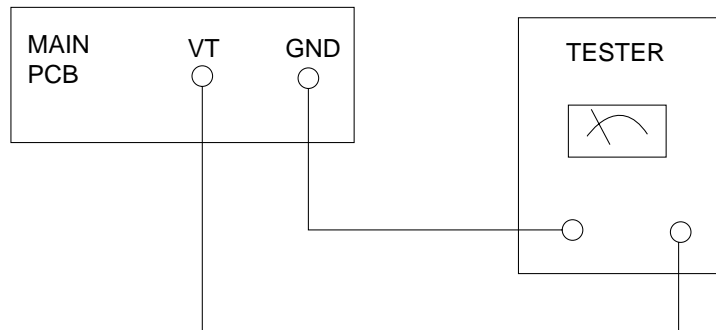


Fig 1-4 OSC Voltage

FM THD Adjustment	
SSG FREQ.	98 MHz
Adjustment point (TL3)	FM DETECTOR COIL
Output	60 dB
Minimum Distortion (0.3% below) (Figure 1-1)	

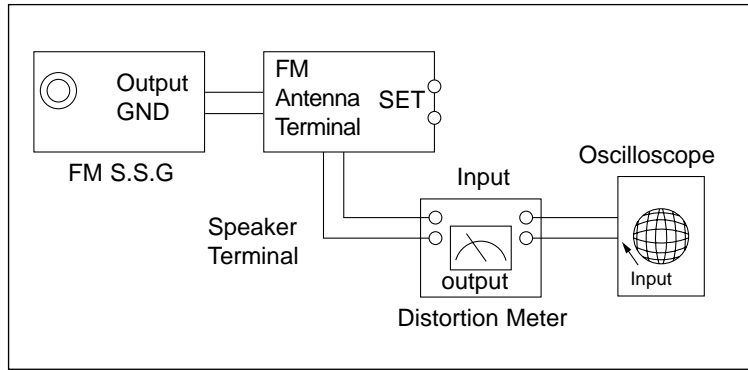


Figure1-1 IF CENTER and THD Adjustment

FM Search Level Adjustment	
SSG FREQ.	98 MHz
Adjustment point (TSR1)	BEACON SENSITIVITY SEMI-VR(20K½)
Output	28 dB(±2dB)
Adjust TSR1 so that "TUNED" of FL T is lighted (Figure 1-2)	

*Adjust FM S.S.G level to 28dB

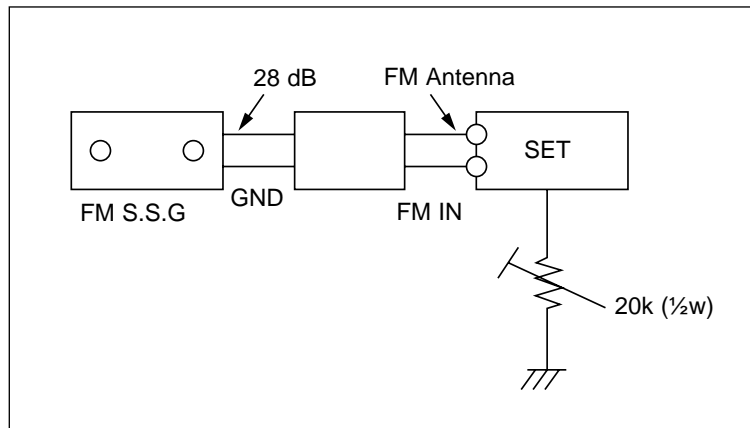


Figure1-2 FM Auto Search Level Adjustment

AM(MW) I.F Adjustment	
SSG FREQ.	450 kHz
Frequency	520 kHz
Adjustment point (TL2)	AM I.F COIL
Maximum output (Figure 1-3)	

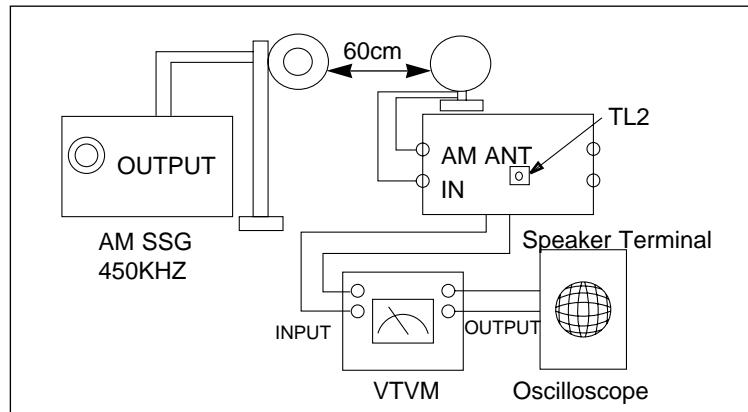


Figure1-3 AM I.F Adjustment

■ Cassette deck

1. To adjust tape speed

Notes

1) Measuring tape: VT 712 (or equivalent)
(Tapes recorded with 3kHz)

2) Connect the cassette deck to the frequency counter as in figure 1-5.

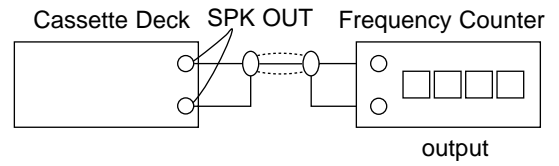


Figure 1-5

Step	Item	Pre-Setup Condition	Pre-Setup	To Adjust	Standard	Remark
1	NOR SPEED Control	OUT (connected to the frequency counter)	1) Deck A:VT 712 2) Press PLAY SW button 3) Deck B:Same as above	Turn UVR2 to left and right (FRONT PCB)	3KHz	±1% range

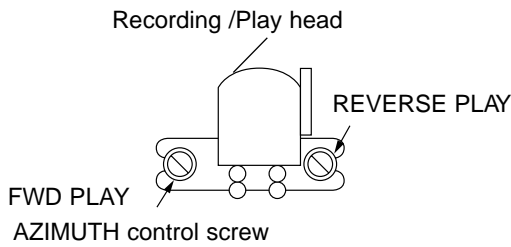


Figure 1-6

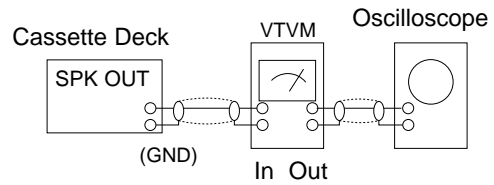


Figure 1-7

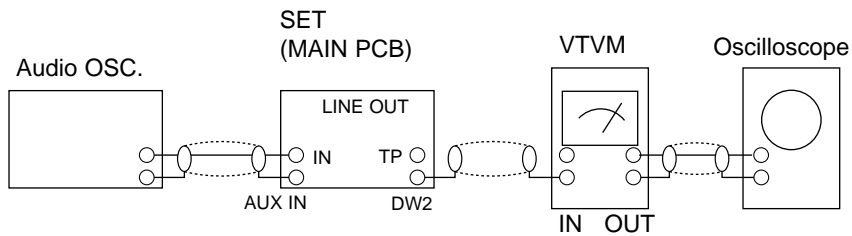


Figure 1-8

2. To adjust playback level/REC

Notes

- 1) Before the actual adjustment, clean the play/recording head.
- 2) Measuring tape :
 - i) VT 705(or equivalent 12.5kHz AZIMUTH control)
- 3) The cassette deck is connections as shown in figure 1-7.

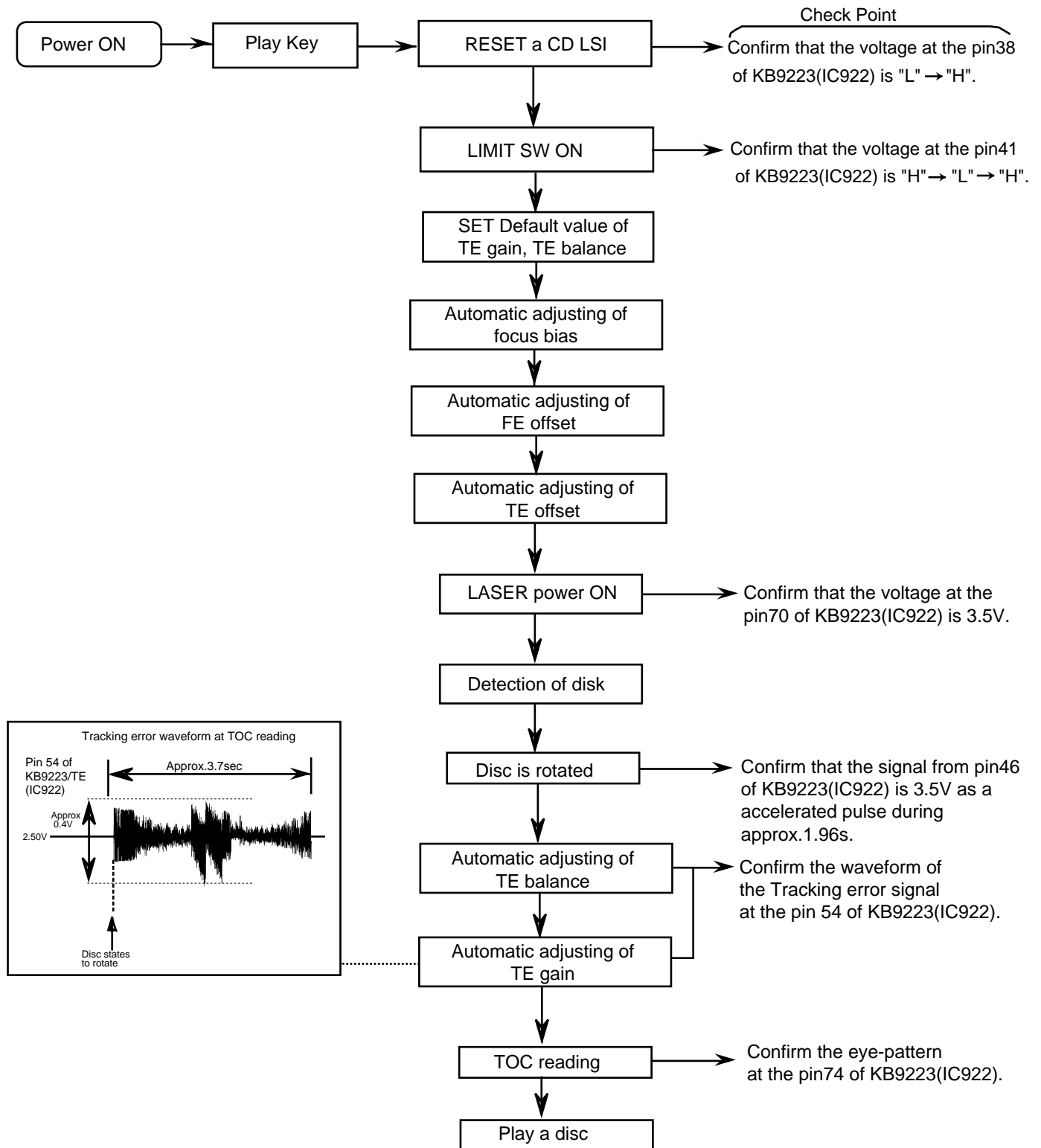
1 Adjust Deck A Play Level

Step	Item	Pre-Setup Condition	Pre-Setup	To Adjust	Standard	Remark
1	AZIMUTH	TP1 OUT (VTVM is connected to the scope)	After putting VT705 into Deck A - Press FWD PLAY button.	- Turn the control screw to as shown in Figure 1-6.	Max output and same phase (both channels)	After adjustment secure it with REGION LOCK.

2 Adjust Deck B Play Level/REC BIAS

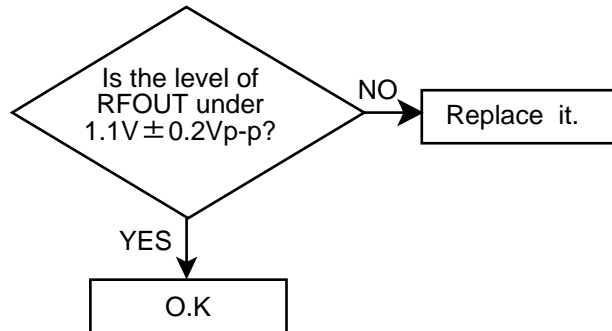
Step	Item	Pre-Setup Condition	Pre-Setup	To Adjust	Standard	Remark
1	AZIMUTH	TP1 OUT (VTVM is connected to the scope)	After putting VT705 into Deck B 1)Press FWD PLAY button. 2)Press REV PLAY button.	- Turn the control screw to as shown in Figure 1-6.	Max output and same phase (both channels)	After adjustment secure it with REGION LOCK.
2	Recording Bias Voltage	Fig 1-8	After putting MFT 5512 into Deck B 1)Press REC PLAY button. 2)MAIN PCB DCW2, connected to VTVM	Turn DVR1,DVR2 to the right and left	7V($\pm 0.5V$)	

Flow of functional operation until TOC read

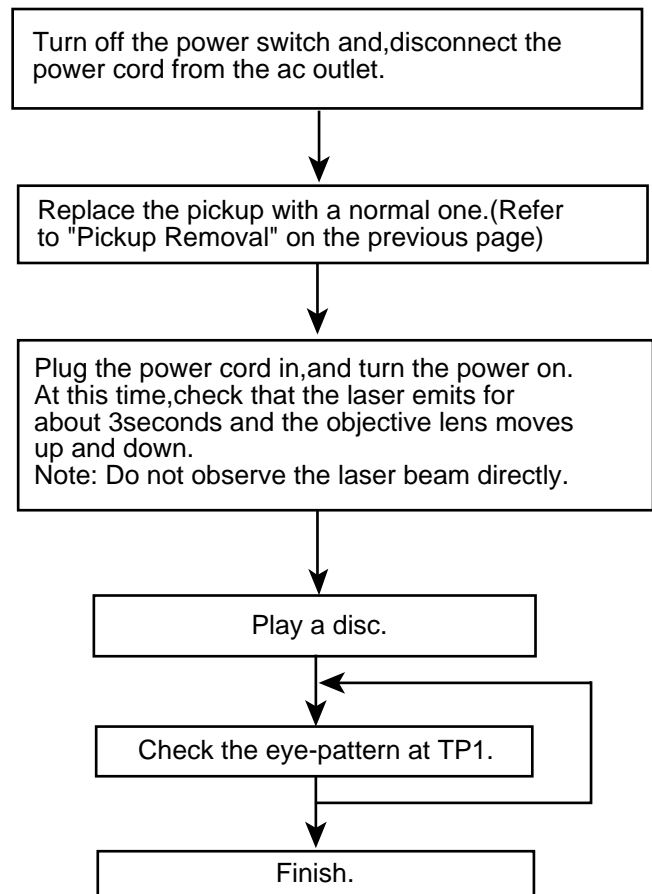


Maintenance of laser pickup

- (1) Cleaning the pick up lens
Before you replace the pick up, please try to clean the lens with a alcohol soaked cotton swab.
- (2) Life of the laser diode
When the life of the laser diode has expired, the following symptoms will appear.
1. The level of RF output (EFM output: amplitude of eye pattern) will below.



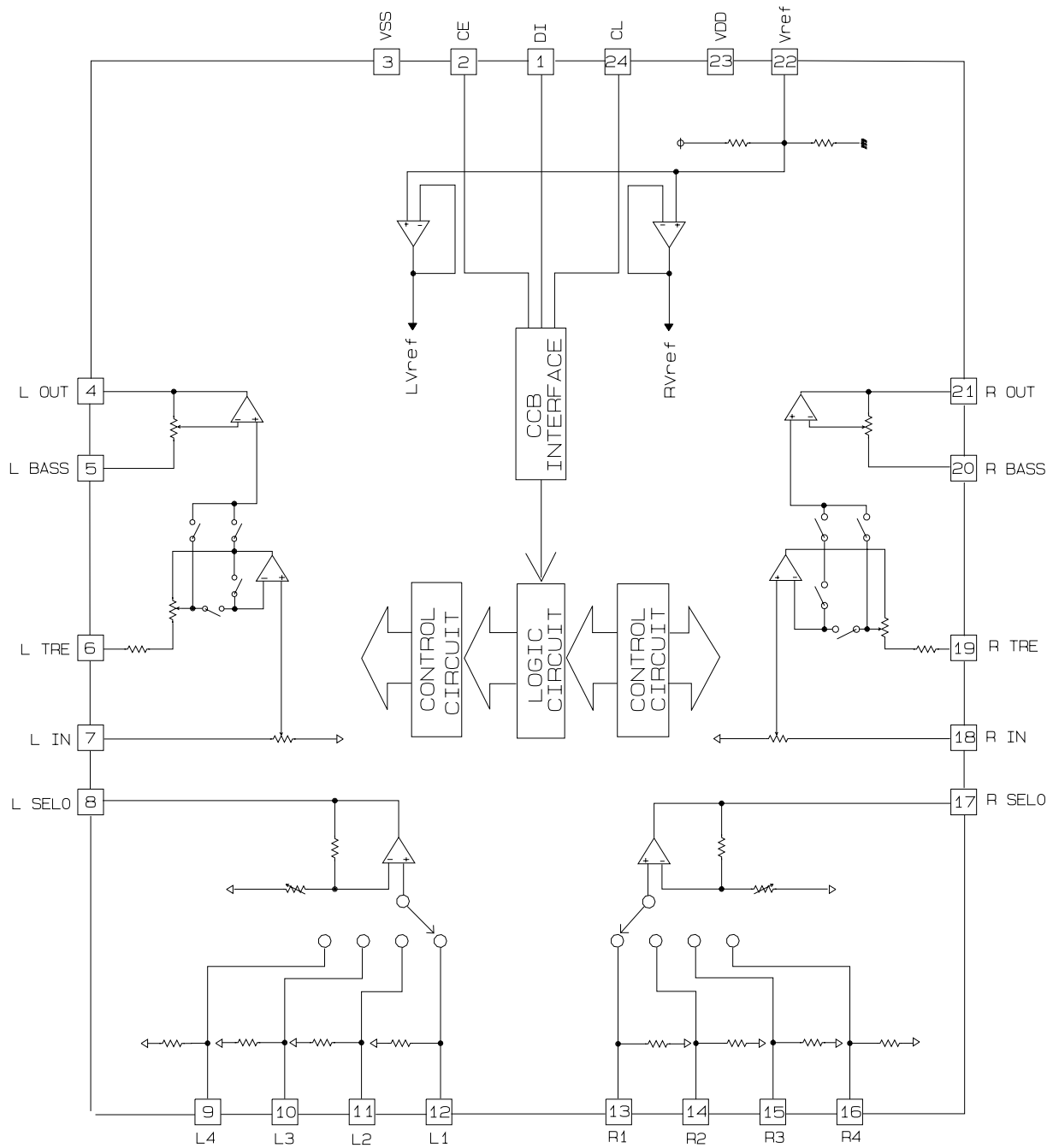
Replacement of laser pickup



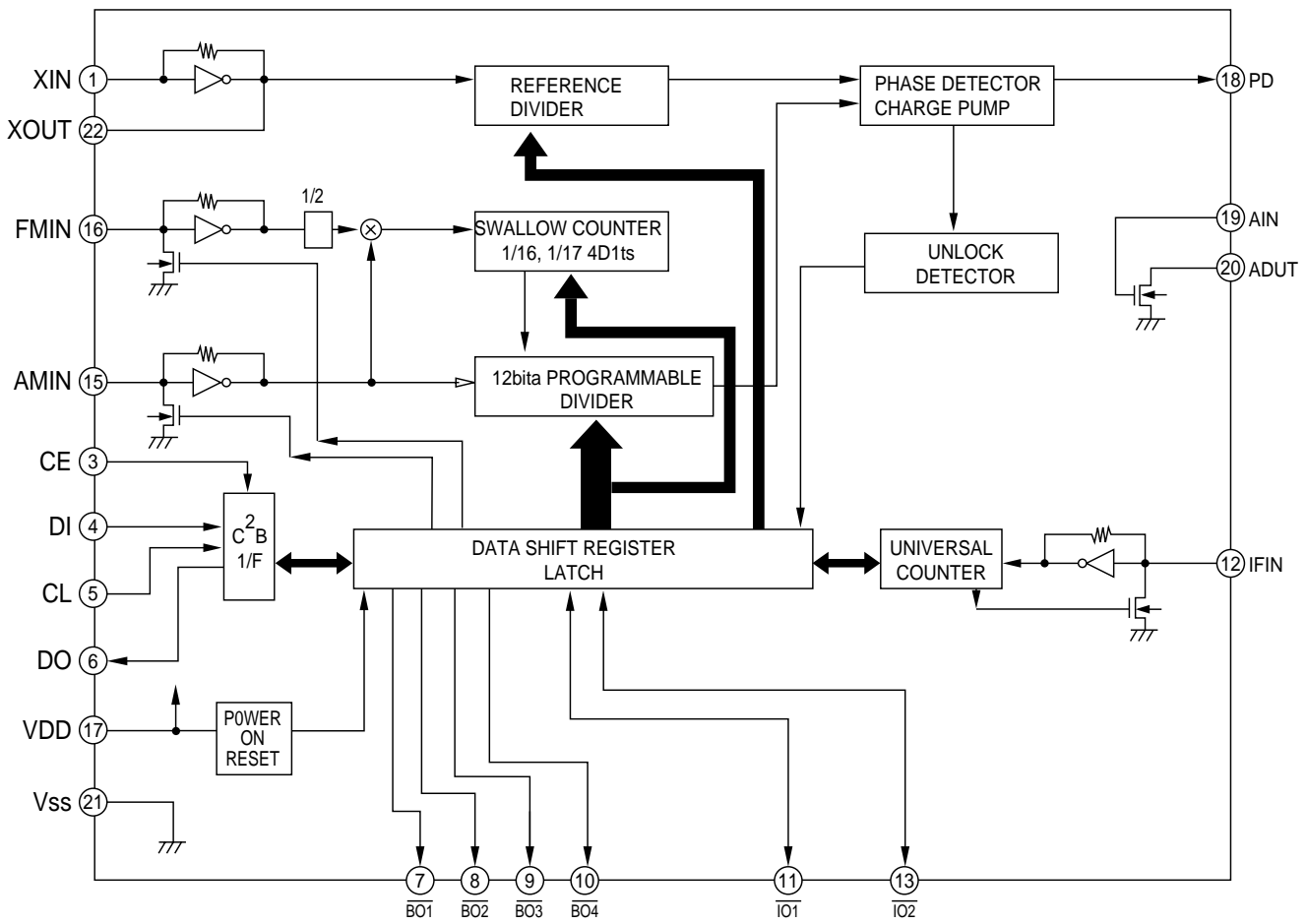
- (3) Semi-fixed resistor on the APC PC board The semi-fixed resistor on the APC printed circuit board which is attached to the pickup is used to adjust the laser power. Since this adjustment should be performed to match the characteristics of the whole optical block, do not touch the semi-fixed resistor.
- If the laser power is lower than the specified value, the laser diode is almost worn out, and the laser pickup should be replaced.
- If the semi-fixed resistor is adjusted while the pickup is functioning normally, the laser pickup may be damaged due to excessive current.

Description of major ICs

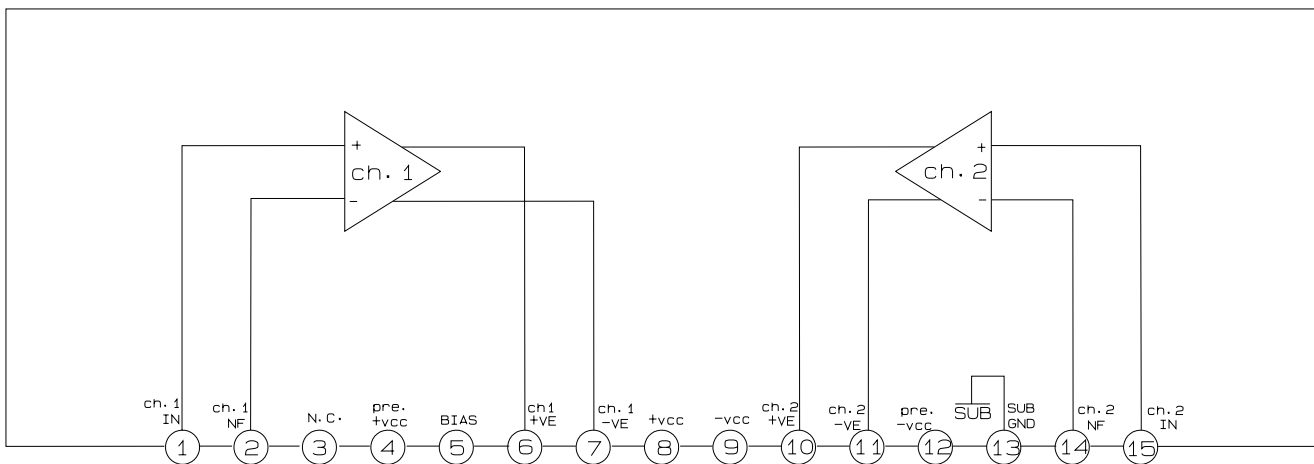
■ LC75341 (FIC1):Function



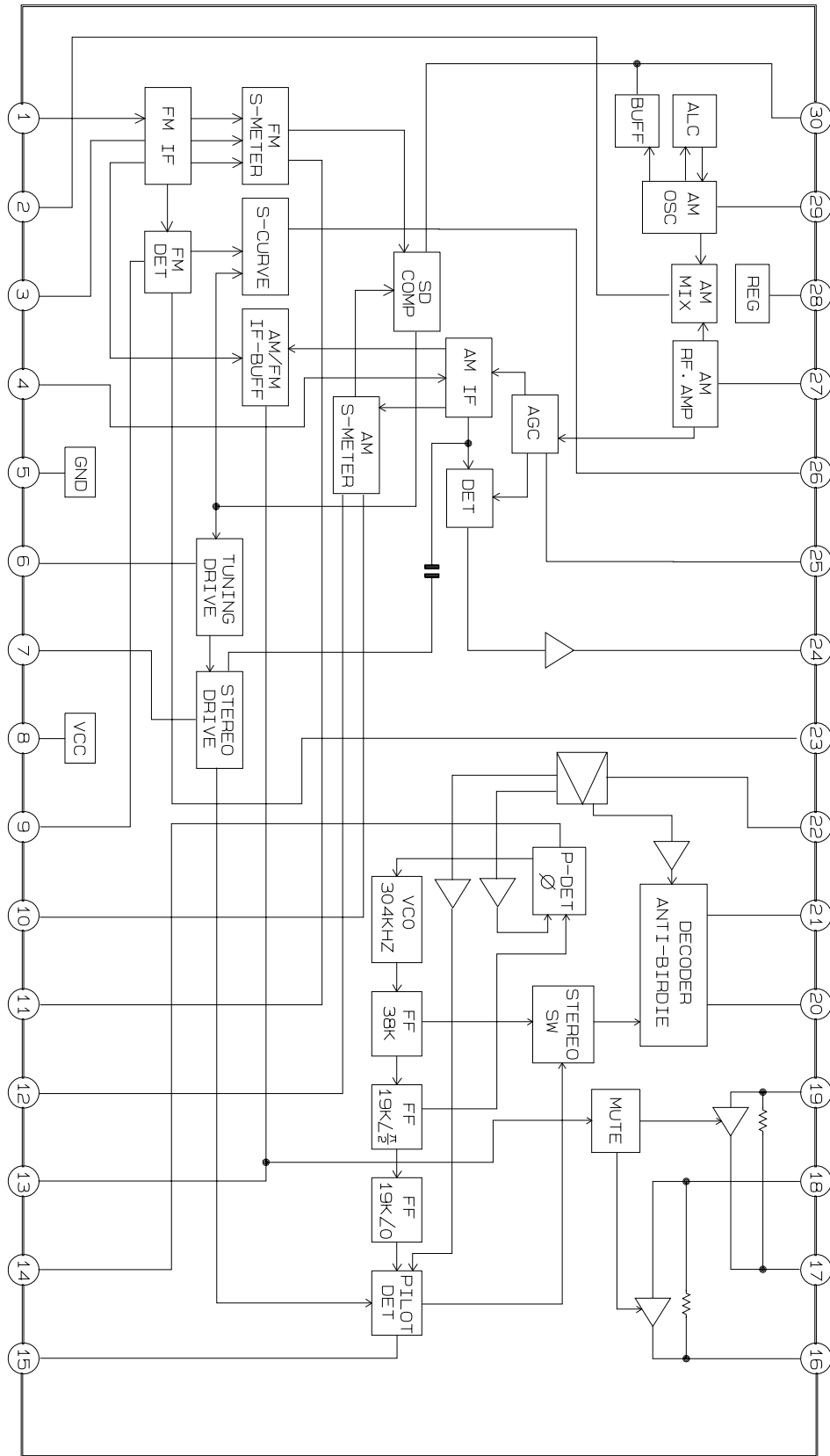
■ LC72131D (HIC1) : PLL



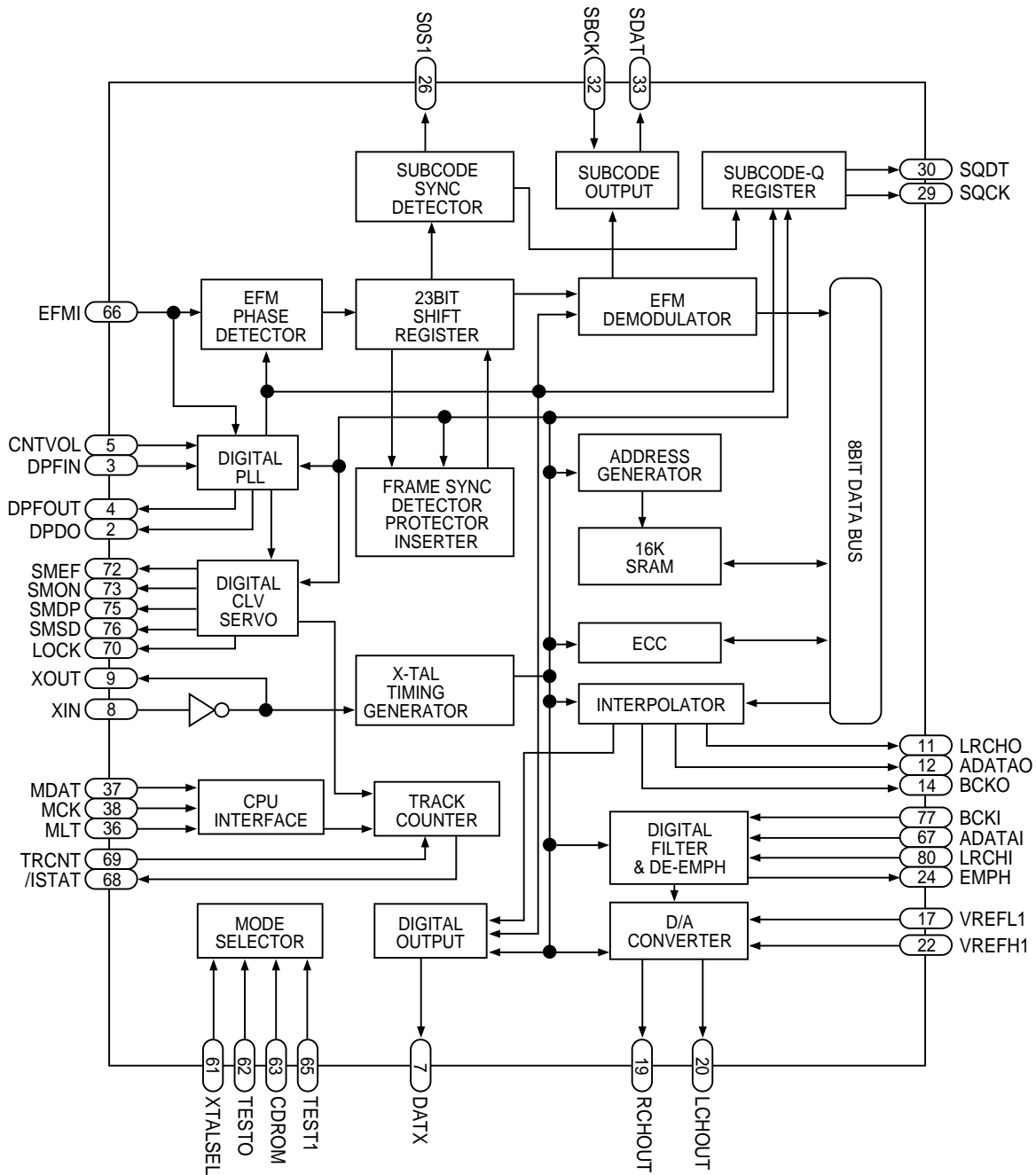
■ STK402-040 (AIC1)



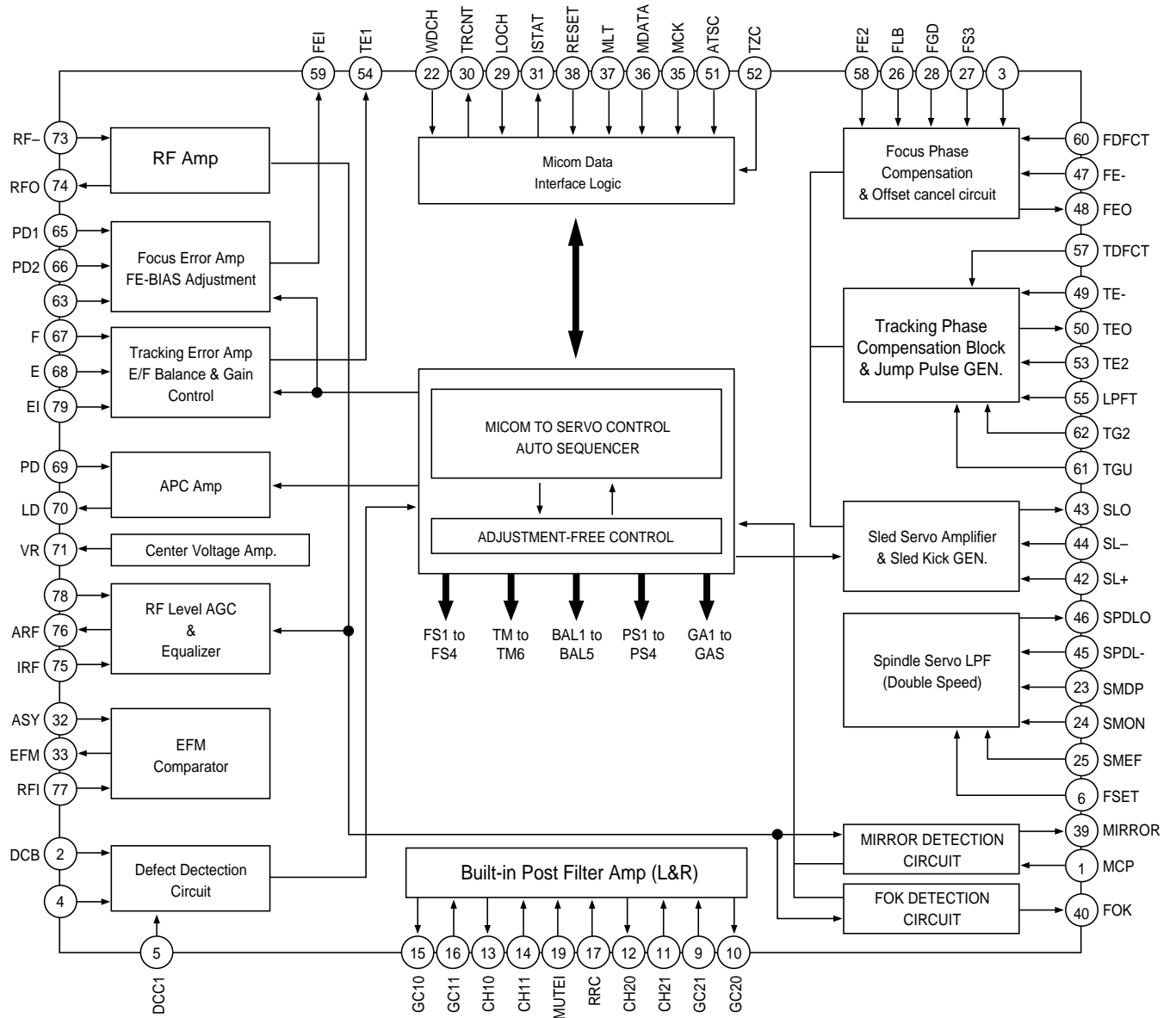
■ LA1837 (TIC1) : FM IF/DET AM RF/IF/DET



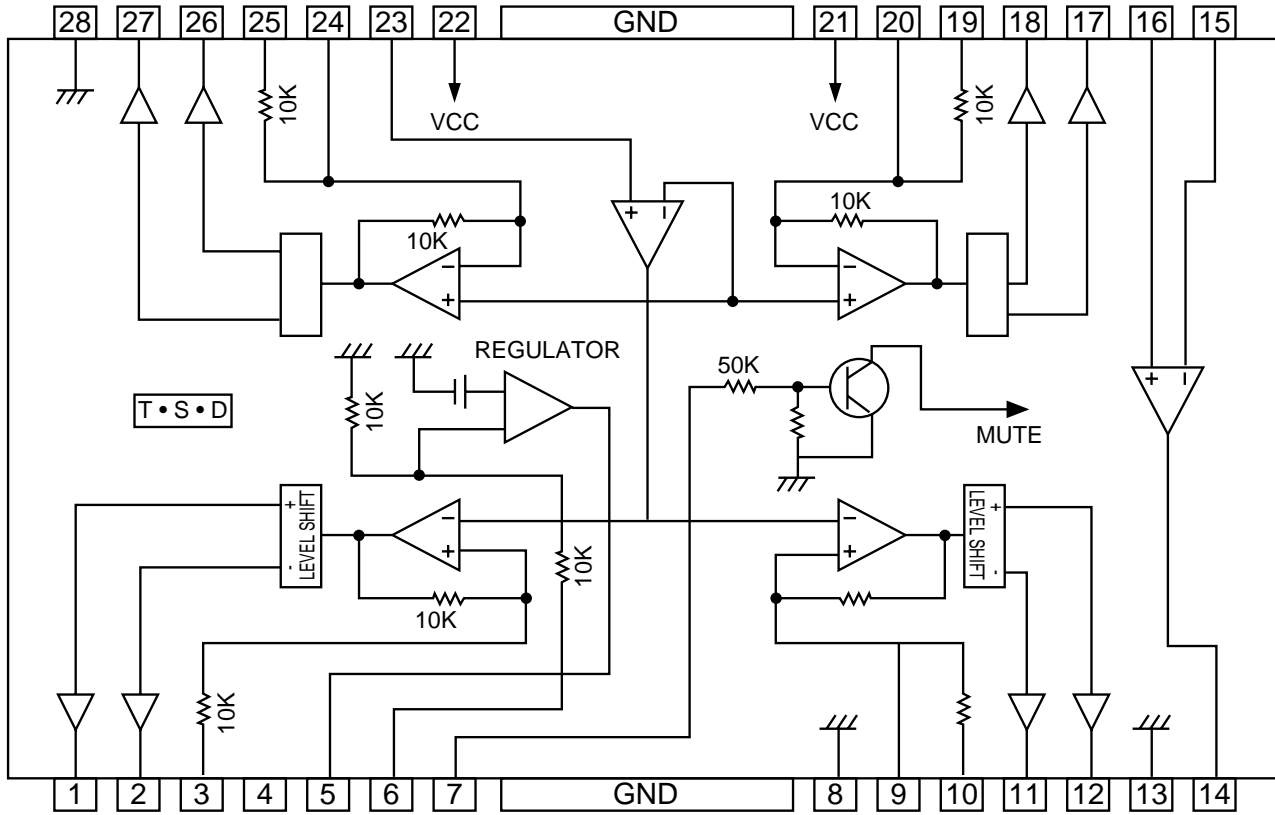
■ KS9286B (IC928) : DSP/D-A Converter



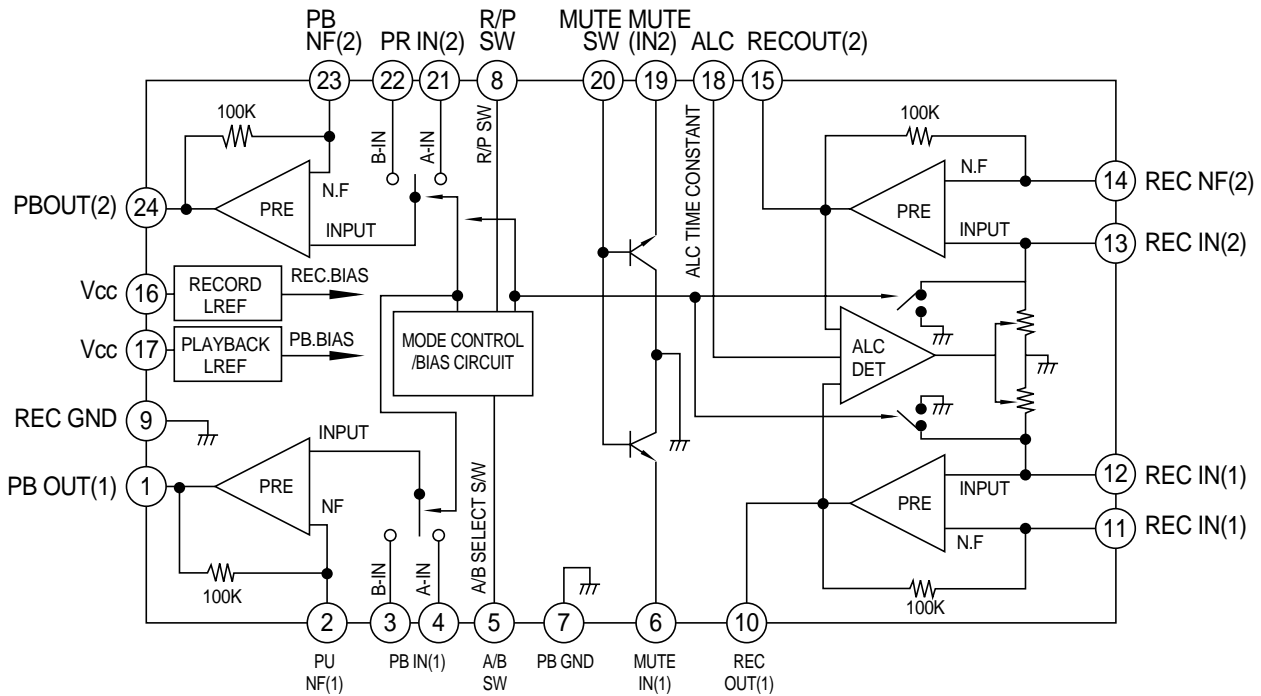
■ KB9223 (IC922) : ASSP(CD RF)



■ KA9258D (IC925) : 4-ch Motor driver



■ KA22291(DIC1) : Cassette amp.



JVC

VICTOR COMPANY OF JAPAN, LIMITED

AUDIO & COMMUNICATION BUSINESS DIVISION

PERSONAL & MOBILE NETWORK B.U. 10-1,1Chome,Ohwatari-machi,maebashi-city,371-8543,Japan